

Electrodigit Automation and Robotics

Your vision our mission

Shop no:7,Gat no:1582,Dehu-Alandi Road, chikhali, Pune-411062

Entrepreneur
Navnath Jadhav
Rohit Hibare

Who we are?

We are Indian based company and specialist in:

- **IndustrialAutomation**
- **Robot Integration**
- **Industry 4.1 traceability Projects**
- **Material Handling systems**
- **Welding SPM**
- **Welding Fixture and Gauges**
- **All types of conveyor**
- **Feeding and packaging machines**

Vision



Mission

- **“Customers Satisfaction” is what we aspire for**
- **Quick Customer response**
- **Customer Focus**
- **Provide cost effective system solution**
- **On time delivery and installation commitment**

Team

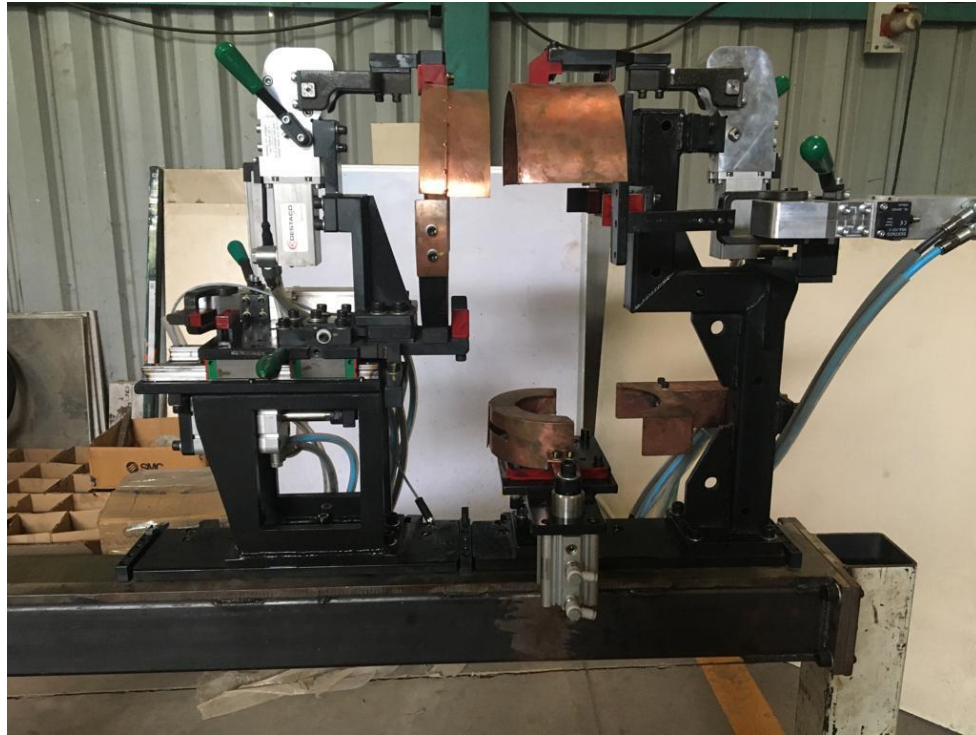
- **Design Team:** We have design Team for mechanical design for Fixture design, inspection gauges, cells, Conveyor, SPM.
- **Programming Team:** We have programming team that can handle any make PLC, servo motion controls, third party integration, Marking machine, printer, Scanner and traceability systems.
- **Project Management:** Program management team follow project deadline.
- **Customer Service:** Provide customer support 24X7 .

Quality

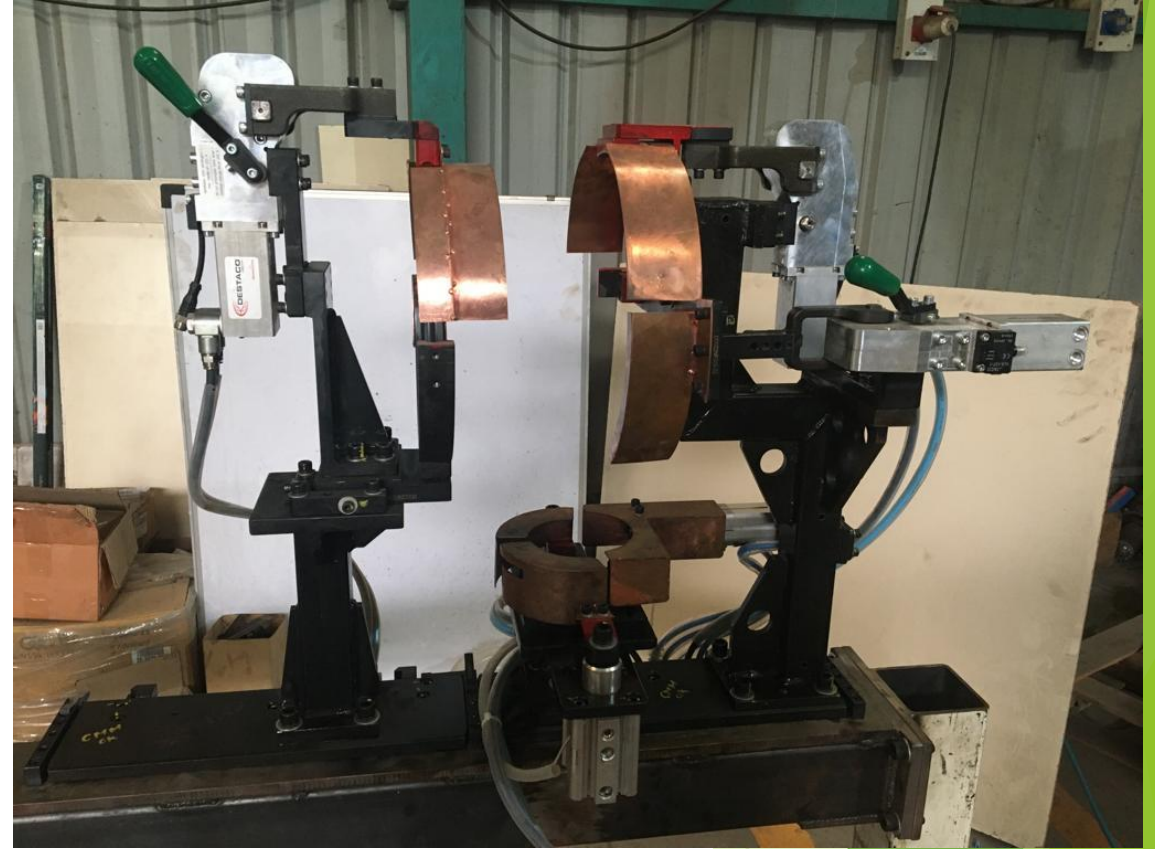


Our Products

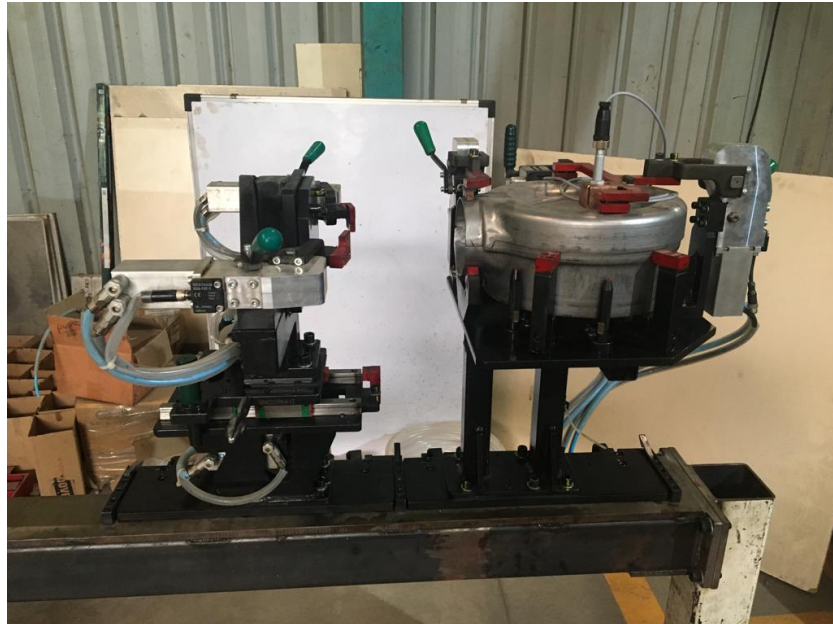
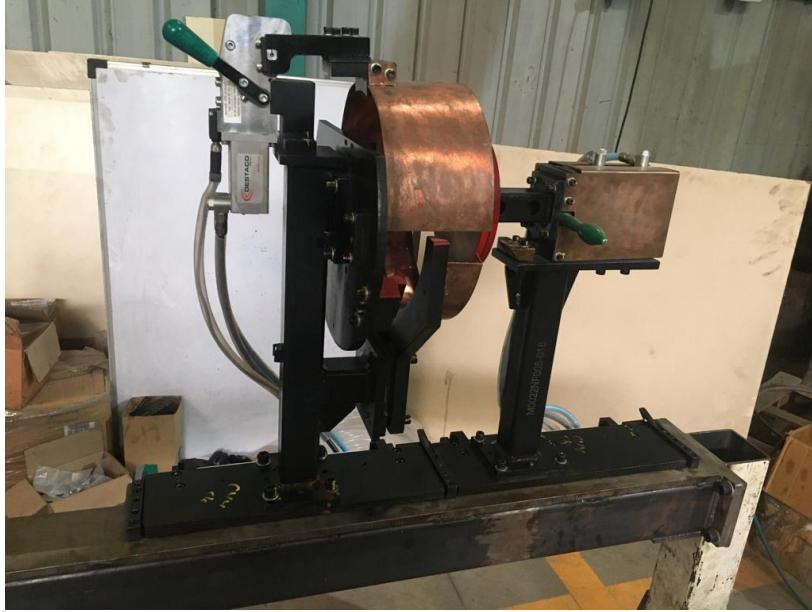
Welding Fixtures:



Welding Fixtures:



Welding Fixtures:



Manual tack Welding Fixtures:

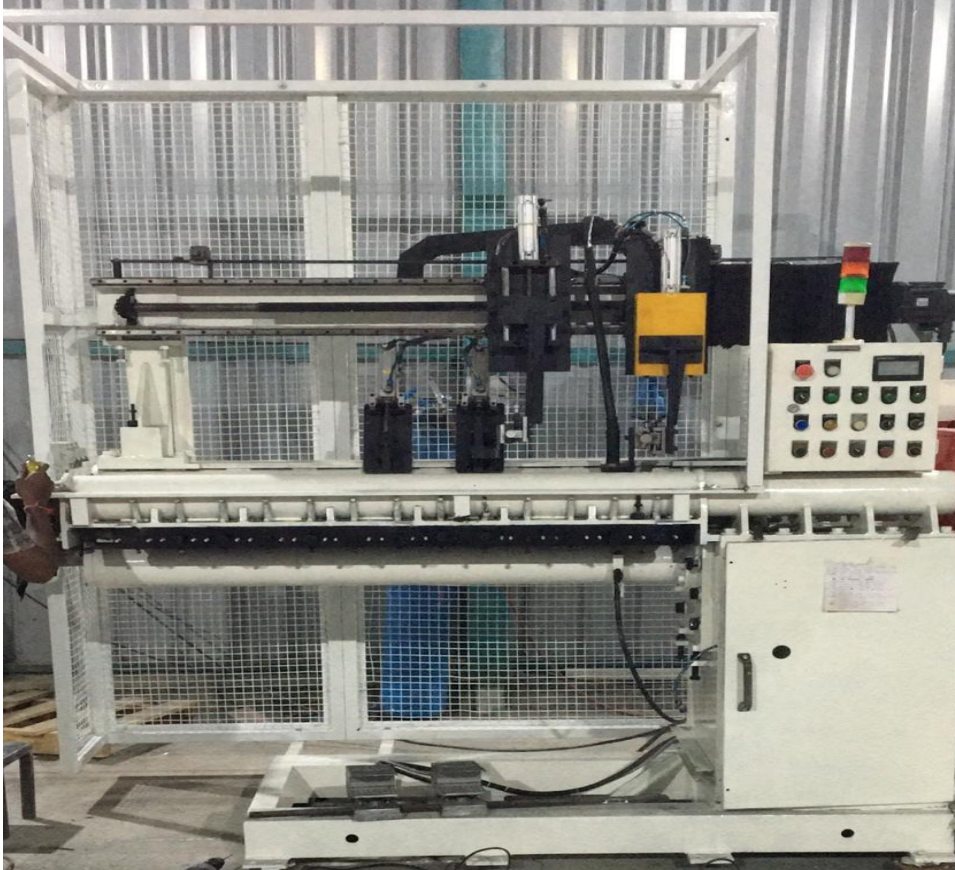


LVDT GAUGES:

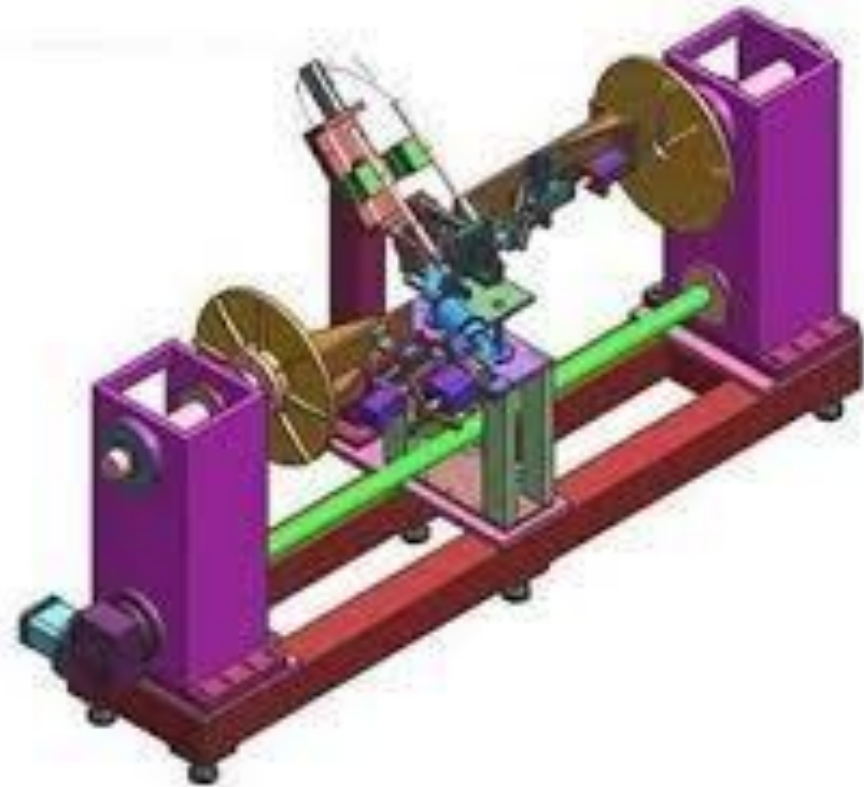


Our Products

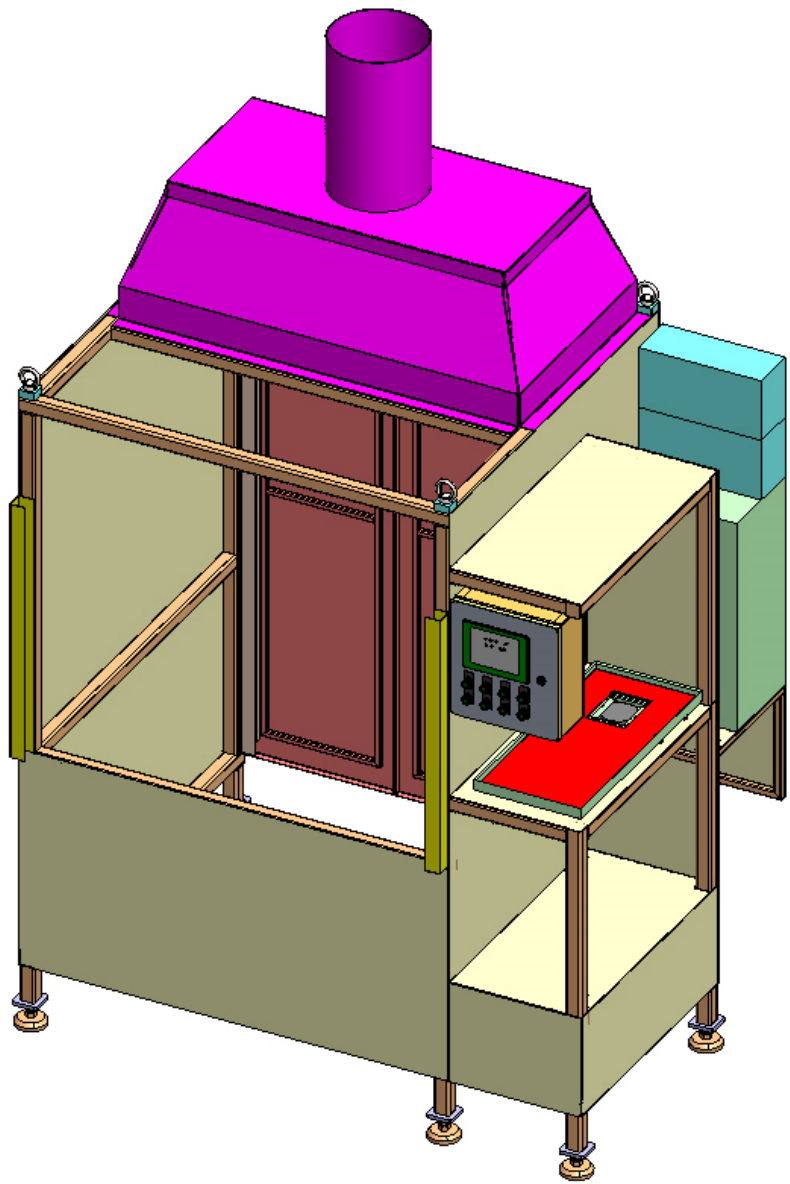
Welding machines:



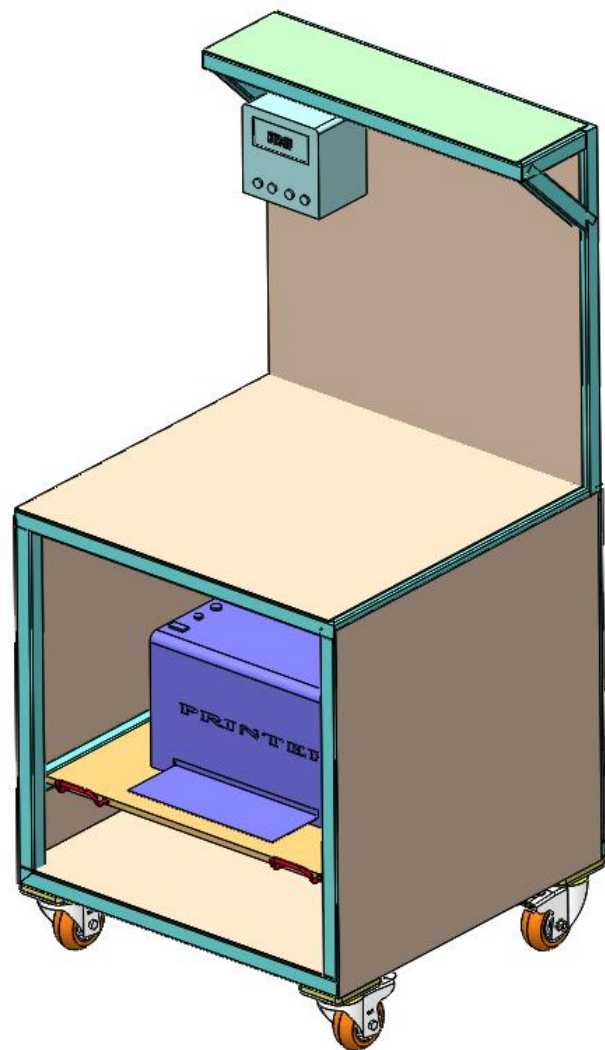
Weld Seamer



Double end drive



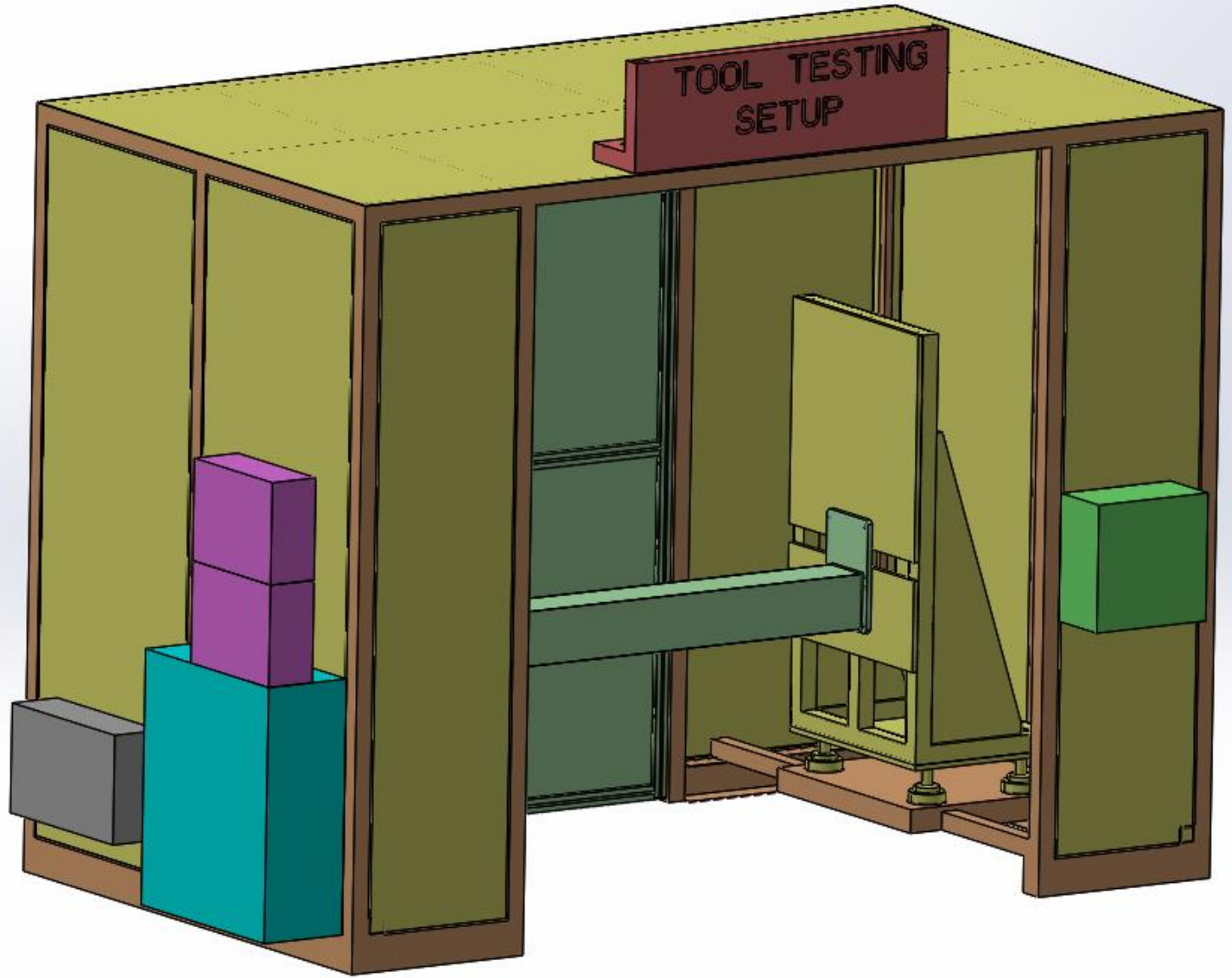
Welding station



Data logging system



Grinding station

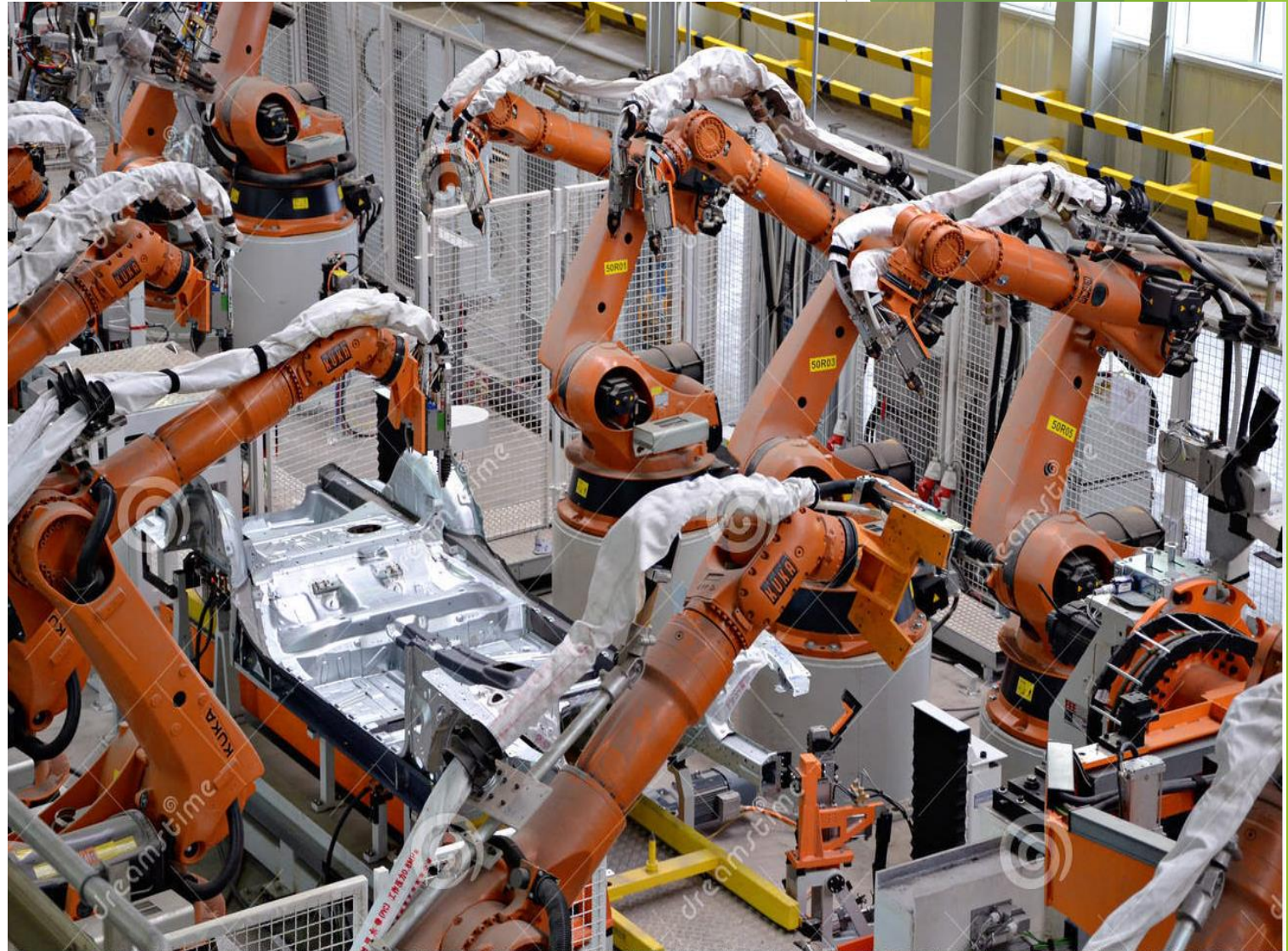


Tool testing setup

Robotics

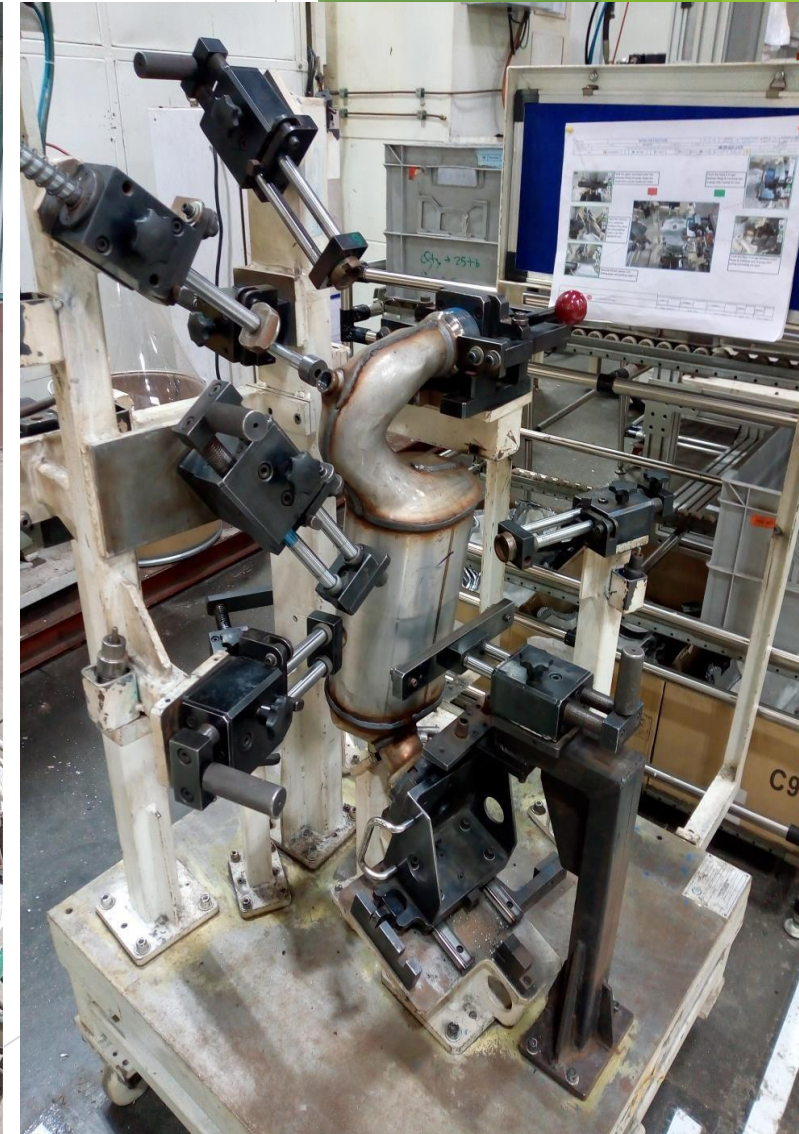
We have Robot Integration & teaching team

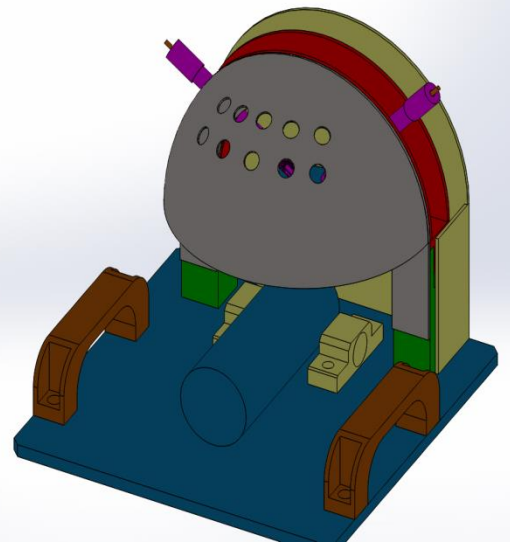
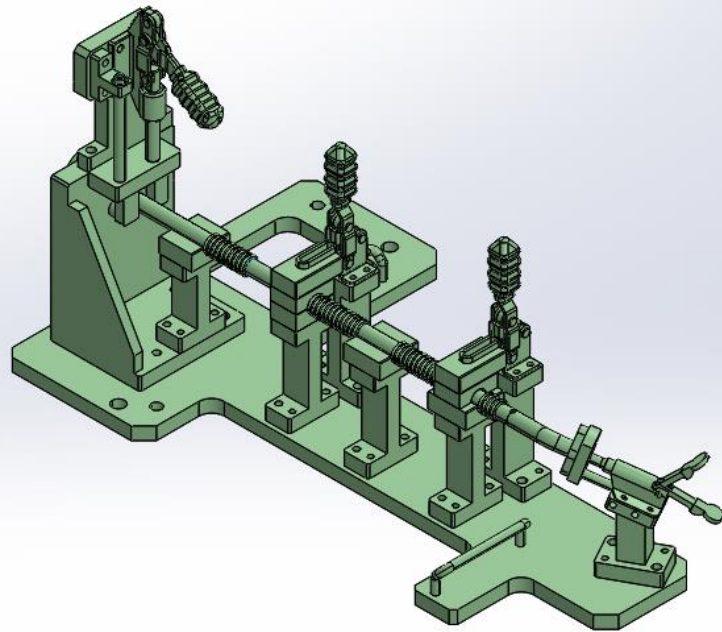
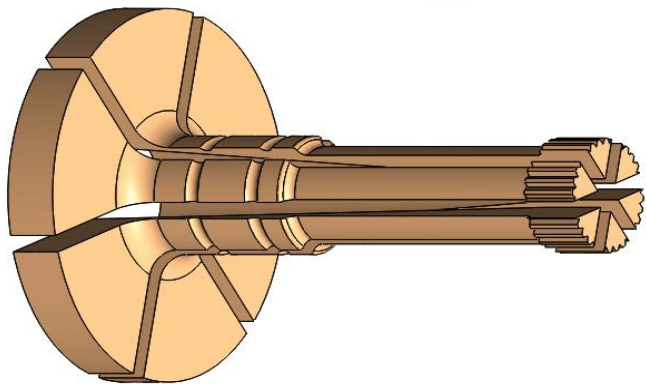
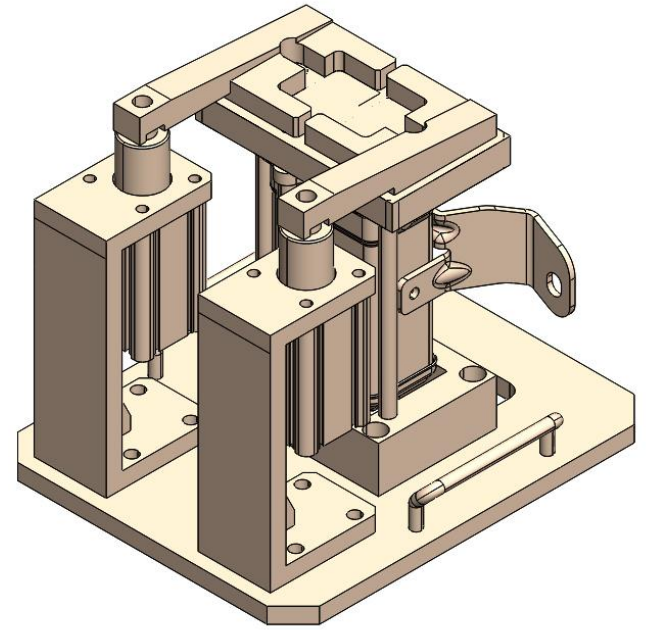
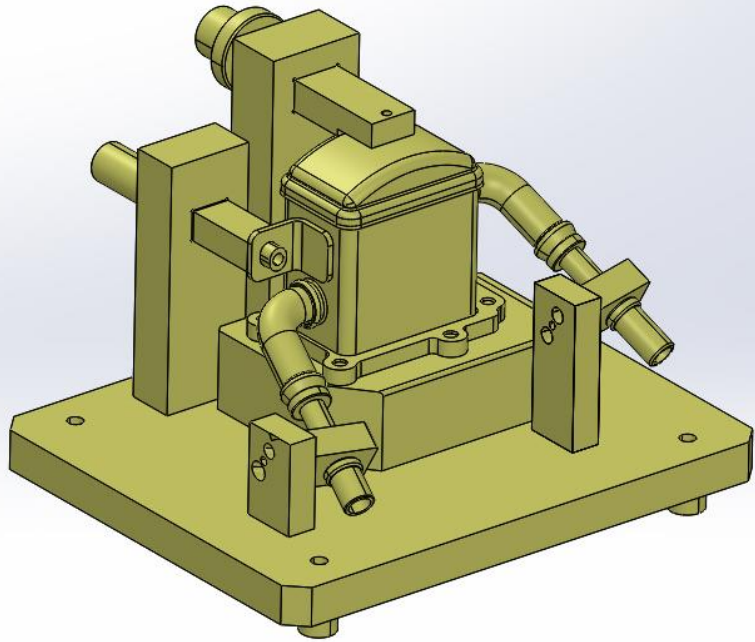
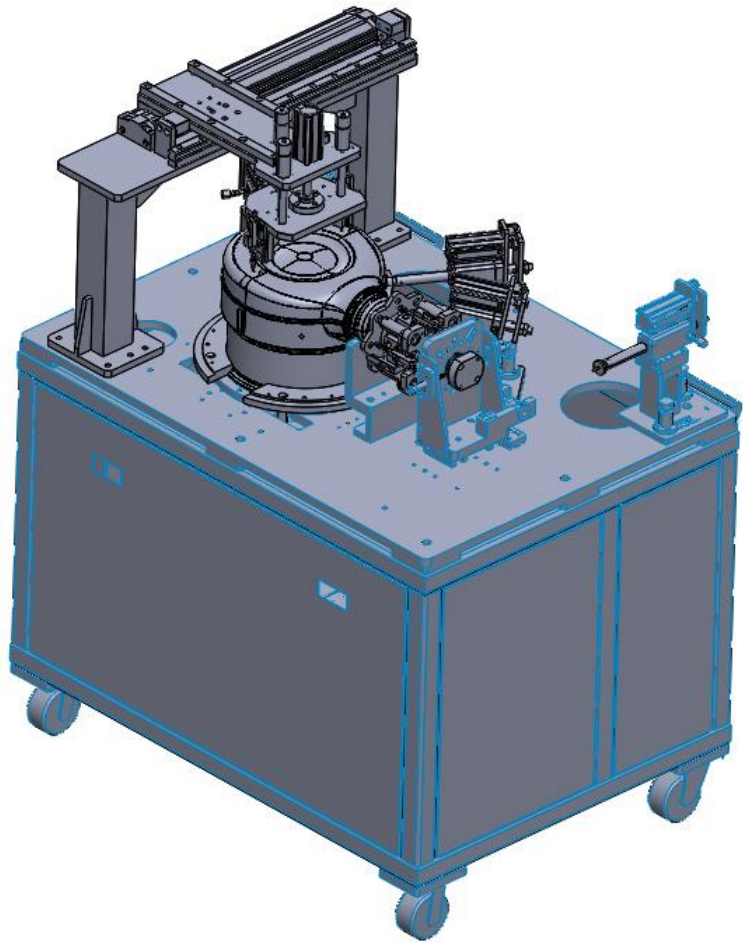


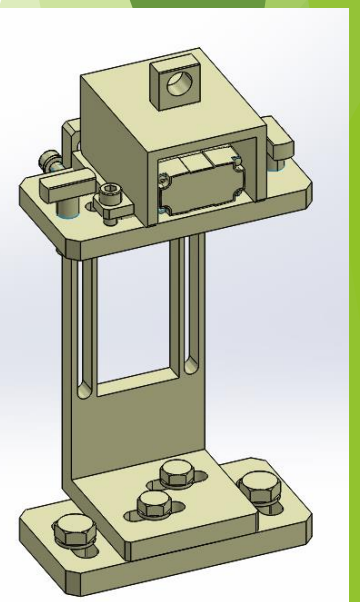
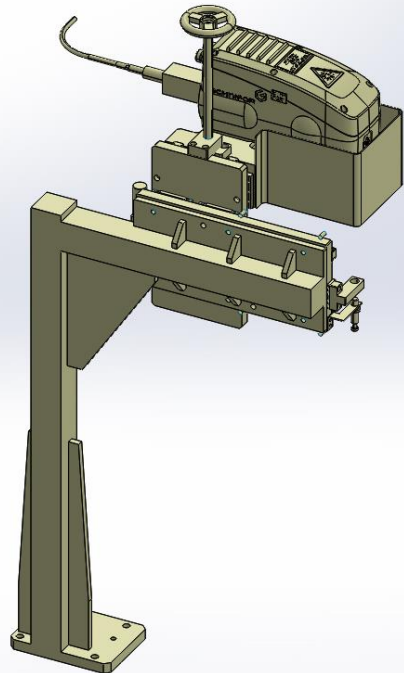
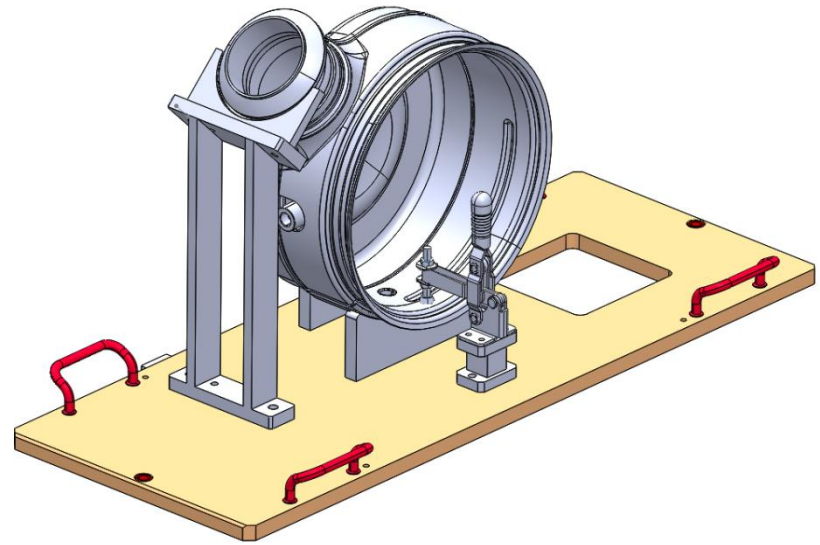
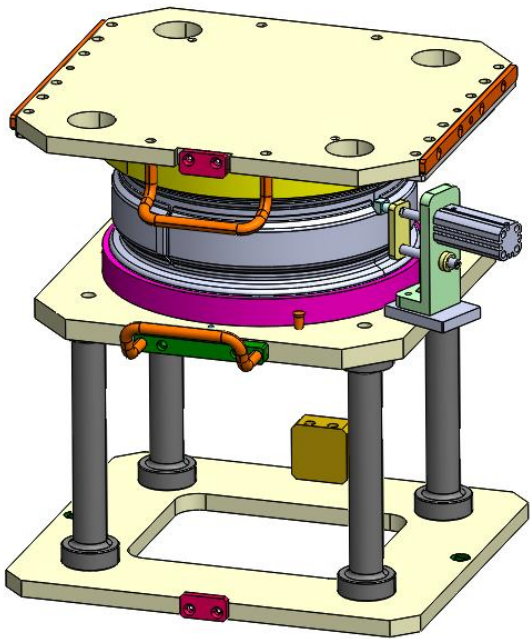
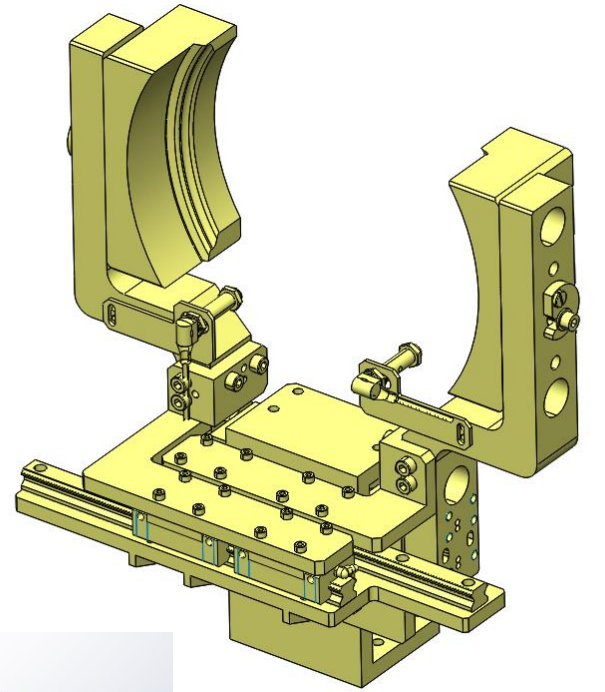
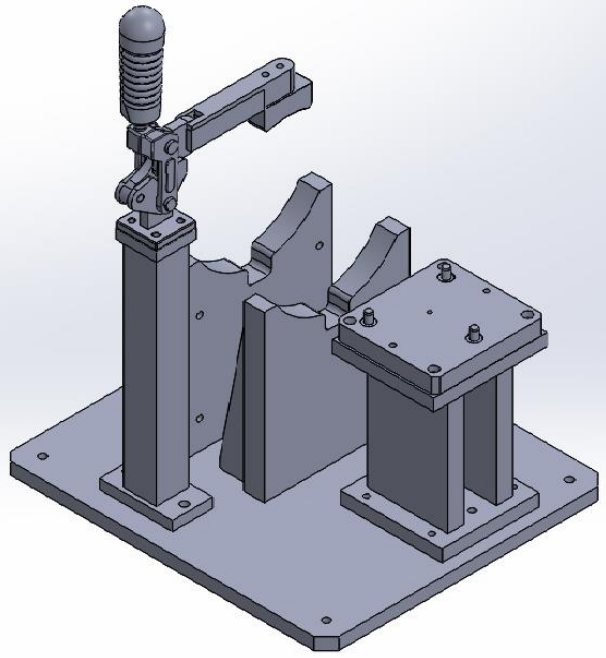
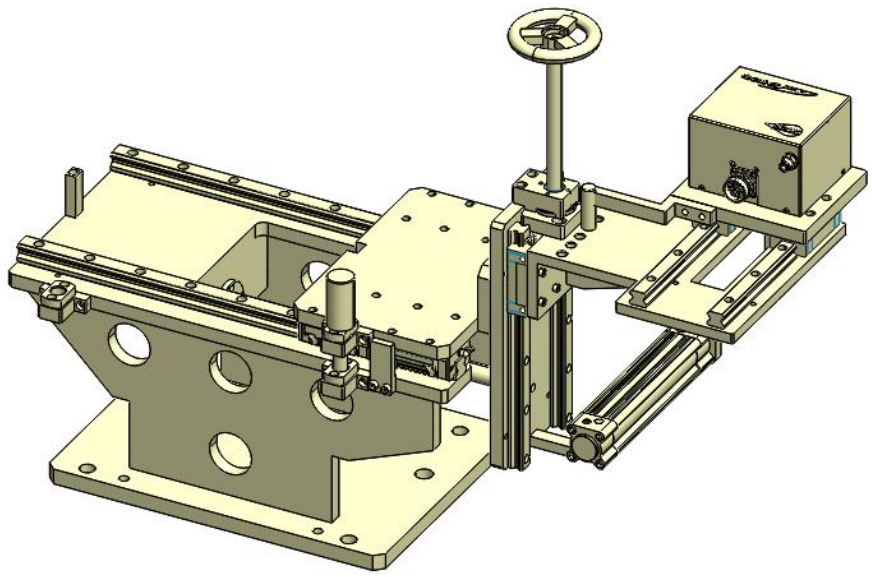


Welding Fixture & Gauge

We have in-house welding fixture & checking gauge design team .

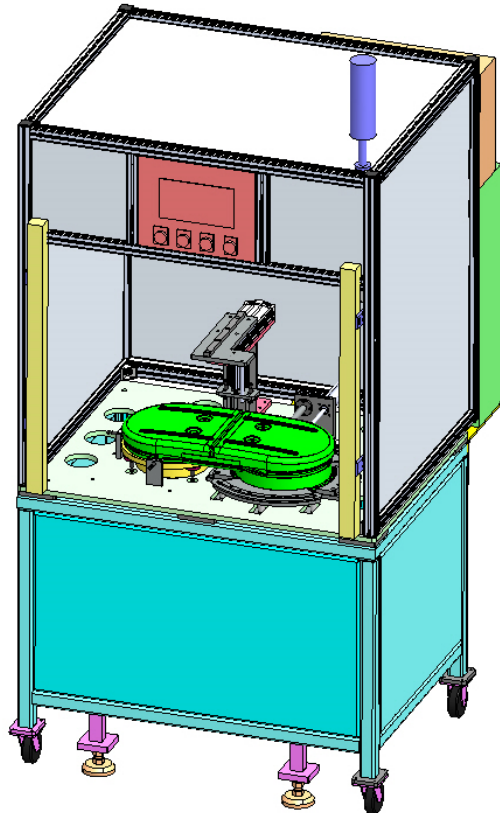






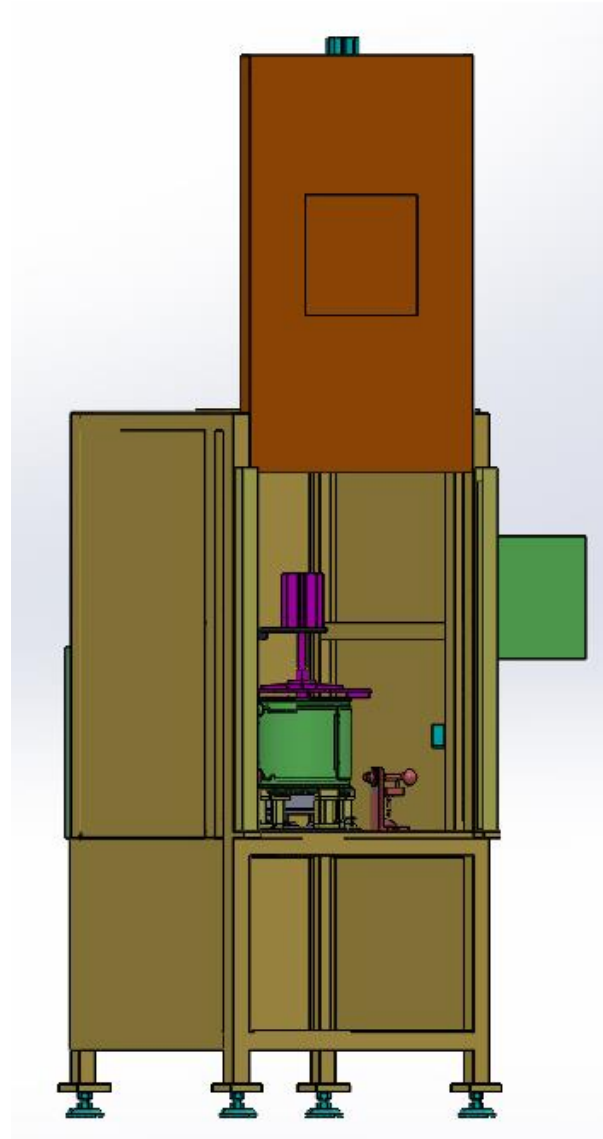
Auto Gauge

This is LVDT based auto gauge used to check flatness of component & save the result of every component on server



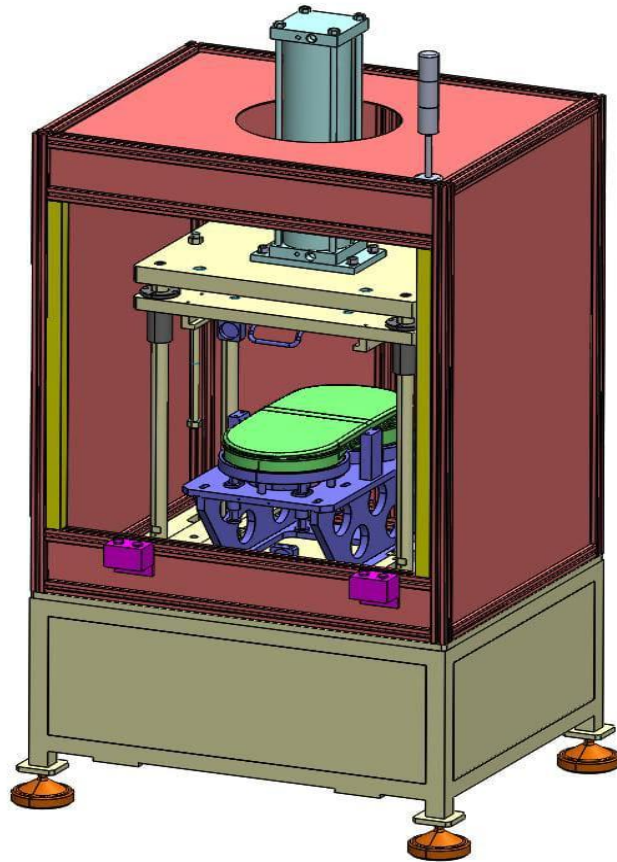
Marking Station

We have designed & developed marking station with changeover fixture & fixed camera reader



Leakage Station

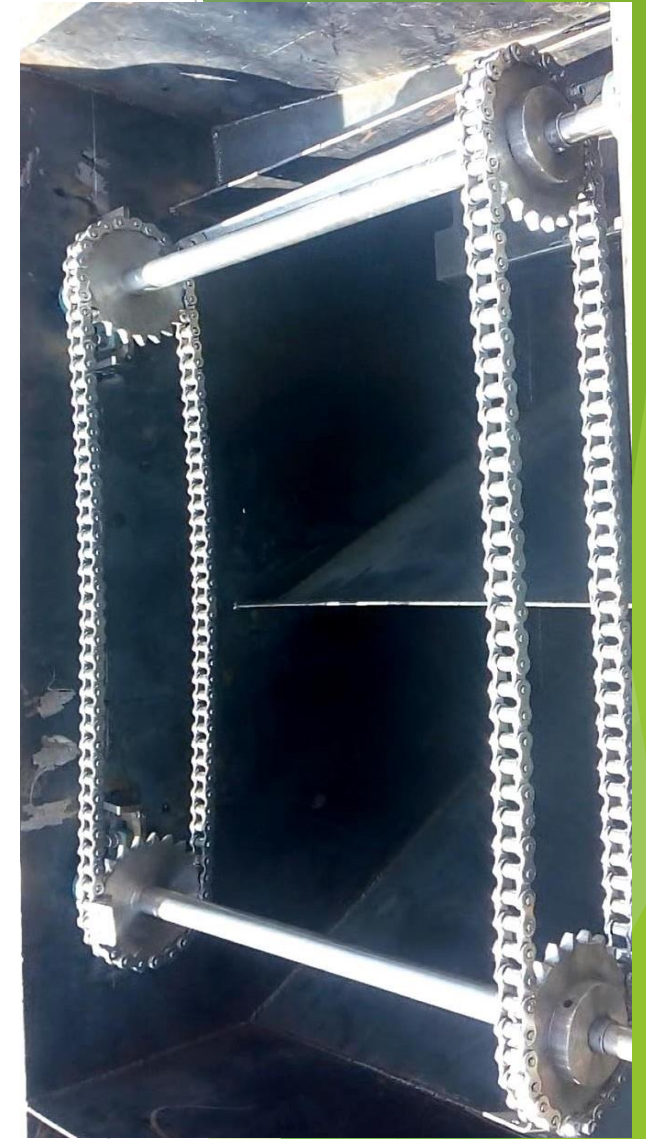
We have designed & developed leakage station for purpose of leak testing



Conveyors



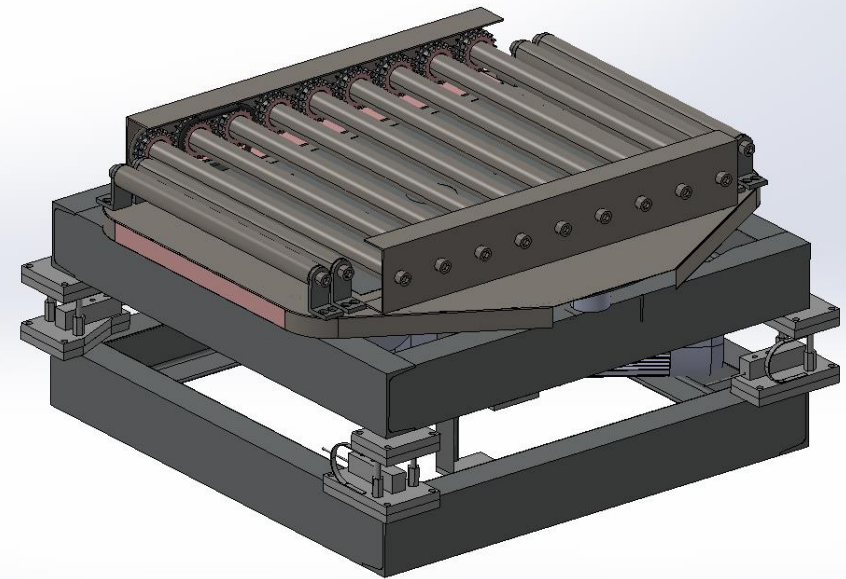
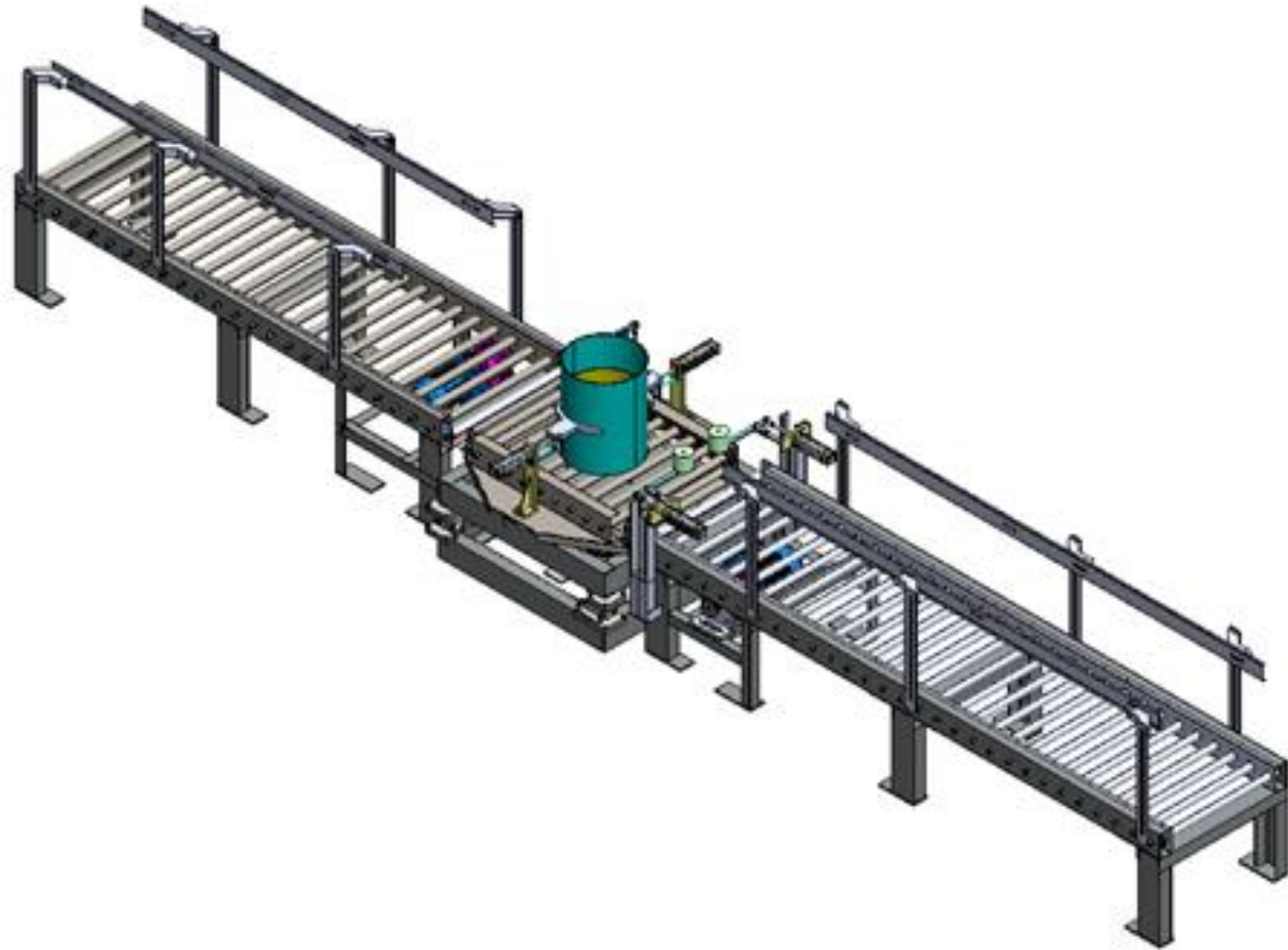
Belt conveyor



Chain conveyor

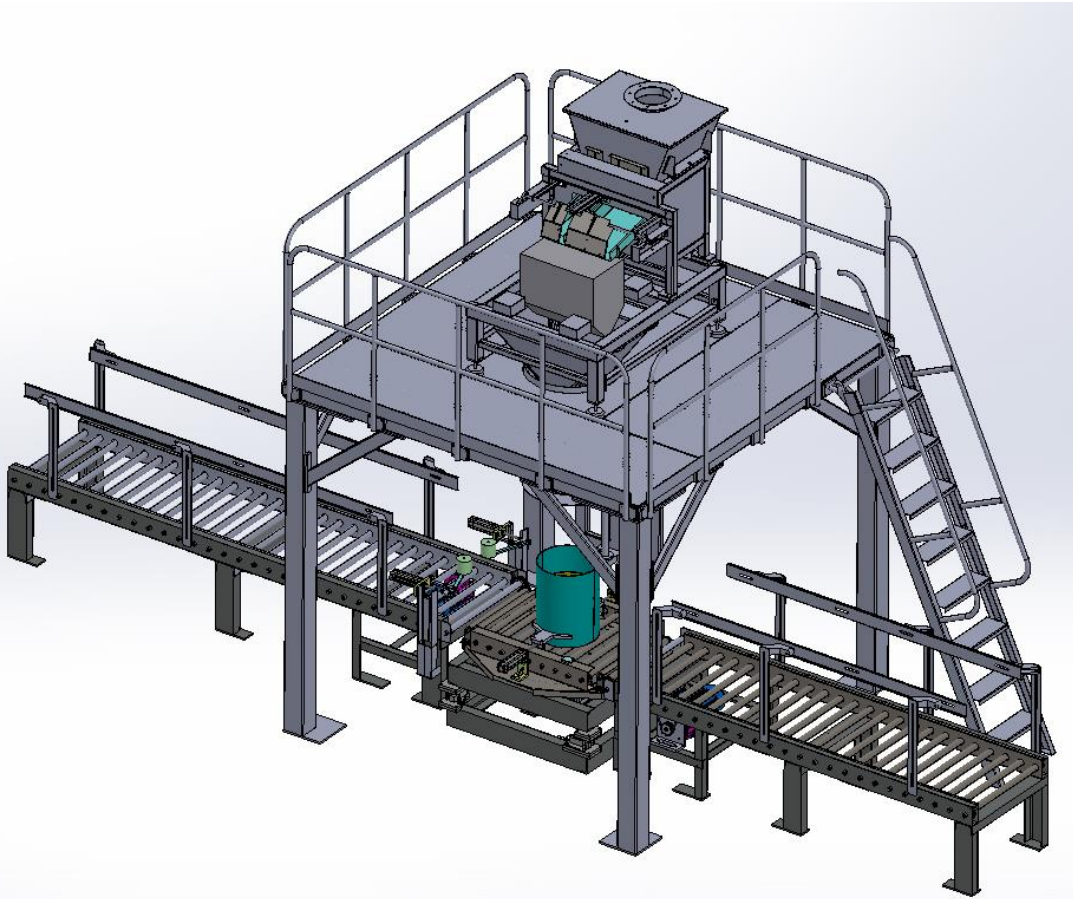


Power roller conveyor



Feeding system with Powerised roller conveyor

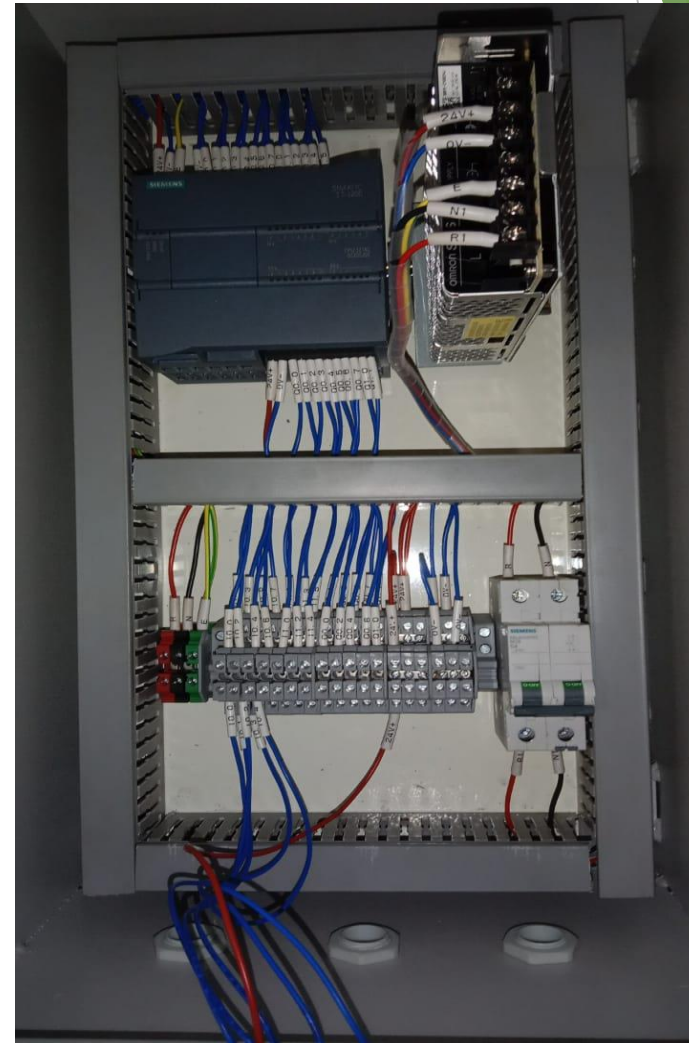
This system is designed for fully automatic drum filling for different SKU .



Control Panels

We have in-house electrical design and wiring team.





Sales and Marketing

- **We have marketing team to handle RFQ.**
- **Suggest proper & exact solution to customer requirement**
- **Process planning & cycle time study**
- **Quick response to customer RFQs**
- **Provide cost effective system solution**

Our customers

• **faurecia**



Mercedes-Benz



GRIFFYN
ROBOTECH





Contact us



Shop no:7, Gat no:1582,Dehu-Alandi road,
Chikhali,Pune-411019



info@electrodigit.com



www.electrodigit.com



+919766009577 / +919370286720

