



ELECTRODIGIT

Well-Come

Well-Come

ELECTRODIGIT

AUTOMATION & ROBOTICS



ELECTRODIGIT

We at Electrodigit Believe in our Passion

“Automate. Accelerate. Excel”

Automate – Tech. to minimize human effort

Accelerate – Begin to move quickly.

Excel – Be Exceptionally good & Competent.



MISSION

- ❖ **Customer satisfaction is what we aspire for.**
- ❖ **Customer centricity.**
- ❖ **Provide a cost-effective solution.**
- ❖ **On-time delivery & installation commitment.**
- ❖ **Innovation for the future.**



VISION

“Creating a Future of Seamless Innovation”



VALUES

OUR ORGANISATION VALUES WE CALLED AS “ **RAINBOW** “ MANTRA

- ❖ Innovation.
- ❖ Collaboration.
- ❖ Reliability.
- ❖ Integrity.
- ❖ Trust.
- ❖ Social Responsibility.
- ❖ Sustainability.



JOURNEY OF THE COMPANY

- ❖ **We started the company with solo ownership on 21st Dec-2018 & now growing up to 32 on-roll employees & 8 temporary manning.**
- ❖ **Initially, we started the company as freelancing in the PLC support & Robotics integration.**
- ❖ **Later on, we grew up the small level of manufacturing & now we are trying to be the leader in the industry.**
- ❖ **Initially, we started the first workshop within a 500 sq ft area in May-2019 & now we have a bigger facility of 12500 sq. ft. from May 2023.**
- ❖ **Will have the in-house Mechanical Design, Electrical Design, PLC programmer, Robot Programmer, CMM, Fabrication, and Machine shop facility.**
- ❖ **Now we are providing all the solutions under one roof.**
- ❖ **Will have associated with 20+ manufacturing vendors.**
- ❖ **Will have associated with the 5+ each VMC & CNC vendor & 4 EDM Vendor.**



WHO WE ARE ?

We are Indian based company and Expertise in:

- ❑ **Industrial Automation**
- ❑ **Robotics Integration**
- ❑ **Industry 4.1 Traceability Projects**
- ❑ **Material Handling systems**
- ❑ **Welding SPM**
- ❑ **Welding Fixtures and Gauges**
- ❑ **All types of conveyors**
- ❑ **Feeding and packaging machines**



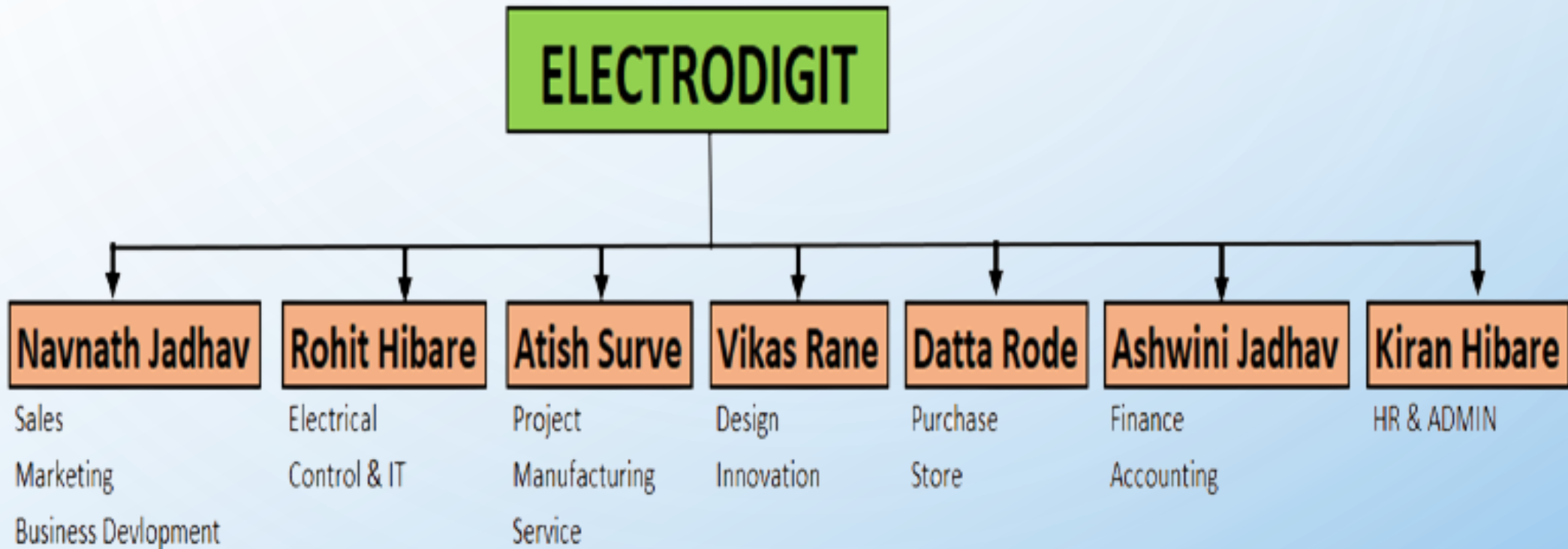
WHY TO CONSIDER US ?

We have all the facility under one roof

- **Design Team:-** We have a design team for Fixture design, inspection gauges, robotic cells, Conveyors, and SPM.
- **Programming Team:-** We have a programming team that can handle any make PLC, servo motion controls, third-party integration, Marking machine, printer, Scanner and traceability systems.
- **Project Management:-** Program management team follows the project deadline.
- **Customer Service:-** Provide customer support 24X7.
- **Electrical Team:-** Design the control panels & providing field support.
- **Machine Shop:-** Inhouse facility for manufacturing & fabrication.
- **WE ARE A YOUNG TEAM OF AVG. 26 YEARS OLD**



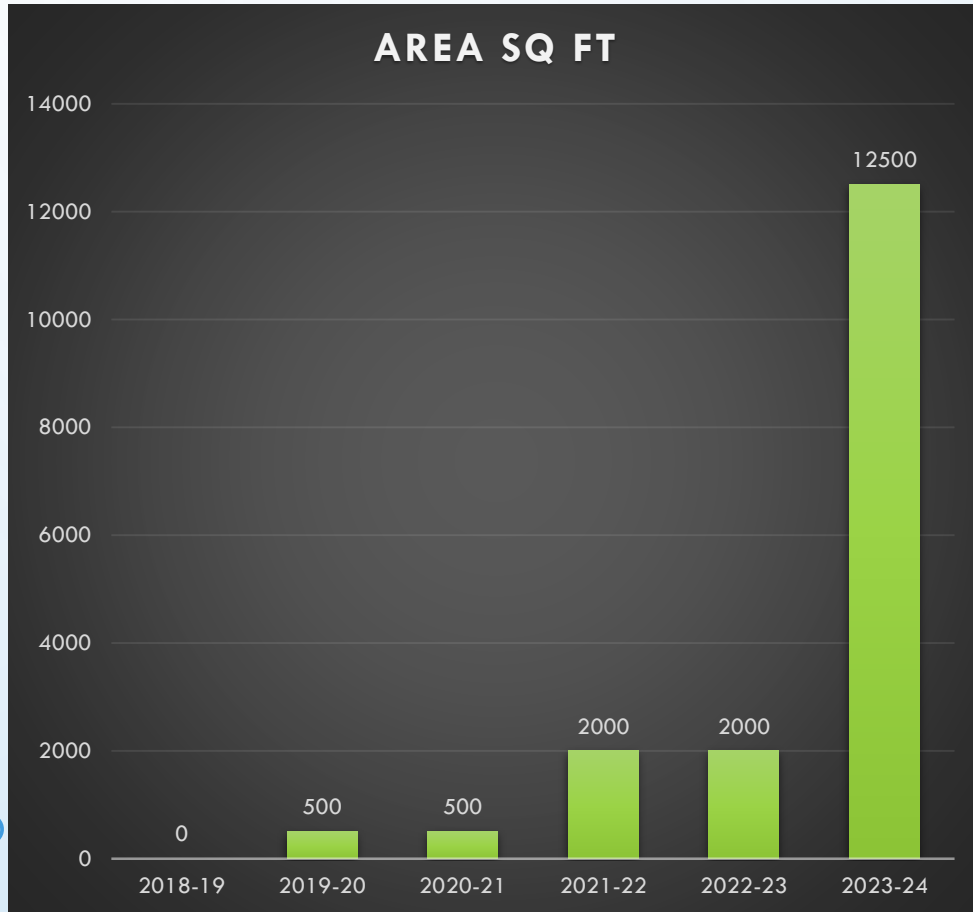
ORGANIZATION STRUCTURE





PROGRESS PATH

AREA



NUMBER OF EMPLOYEE

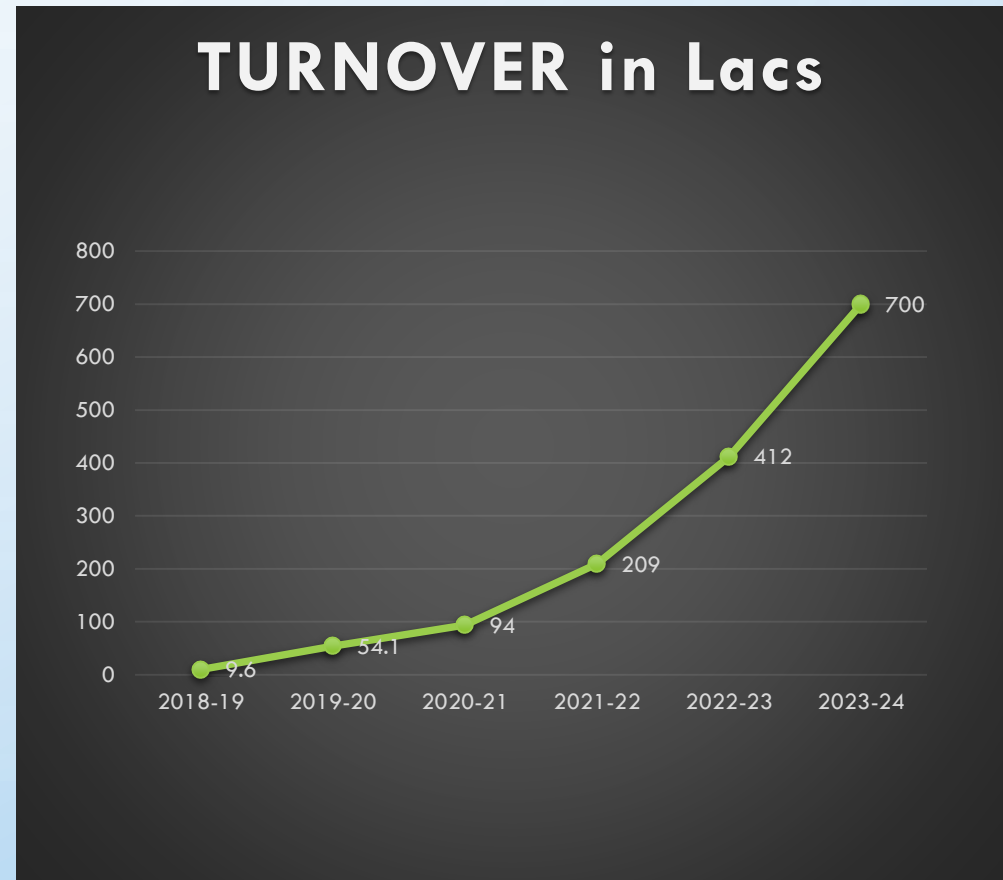




PROGRESS PATH

NUMBER OF CUSTOMERS

TURNOVER (INR.LACS)





ELECTRODIGIT

OUR PRODUCTS

Robotic Cell:





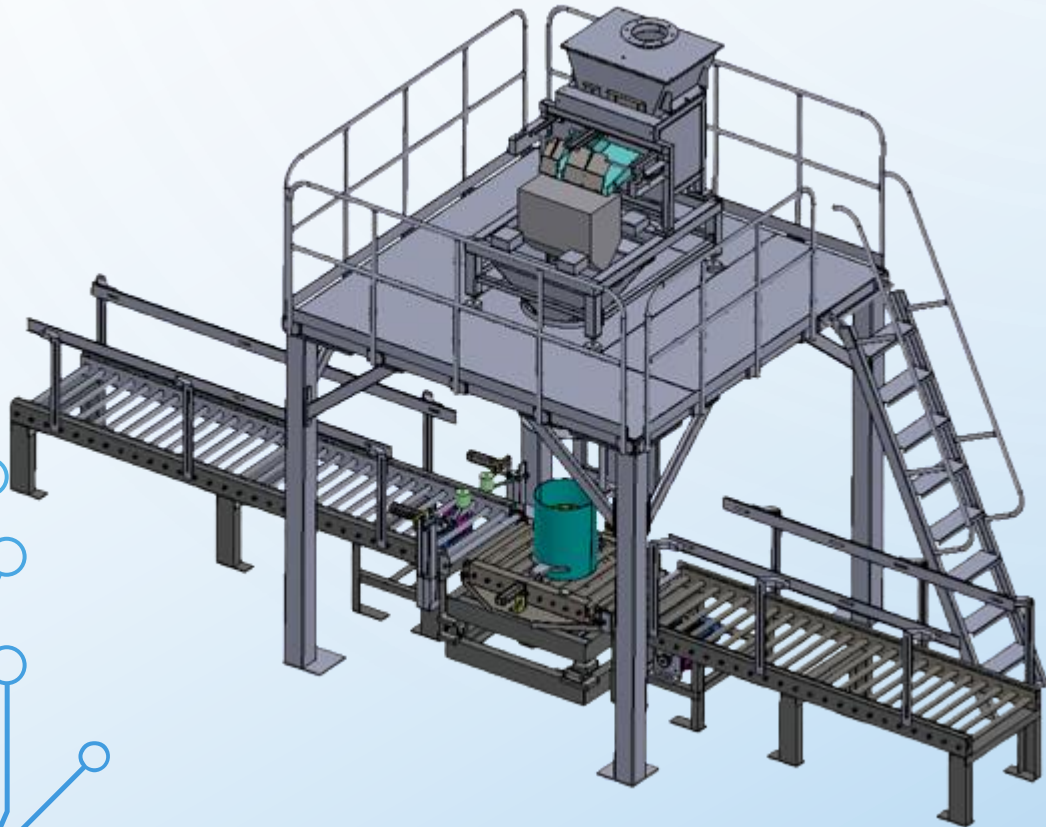
ELECTRODIGIT





ELECTRODIGIT

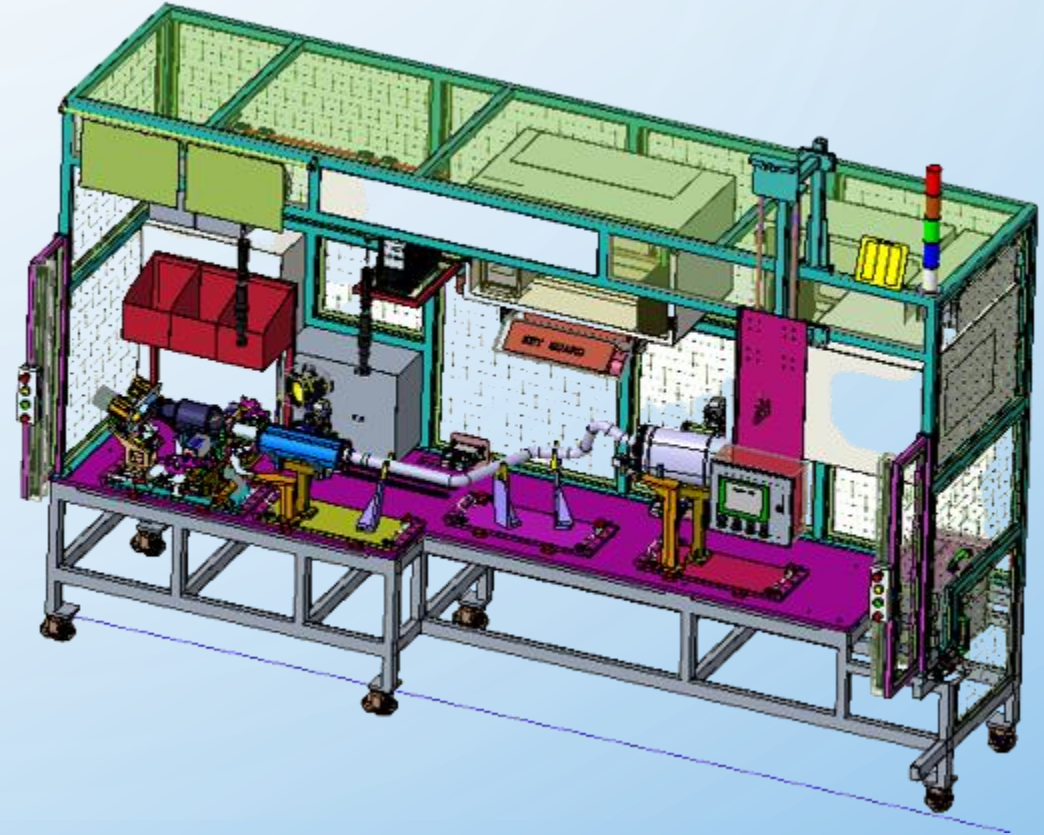
Feeding system with Powerised roller conveyer





ELECTRODIGIT

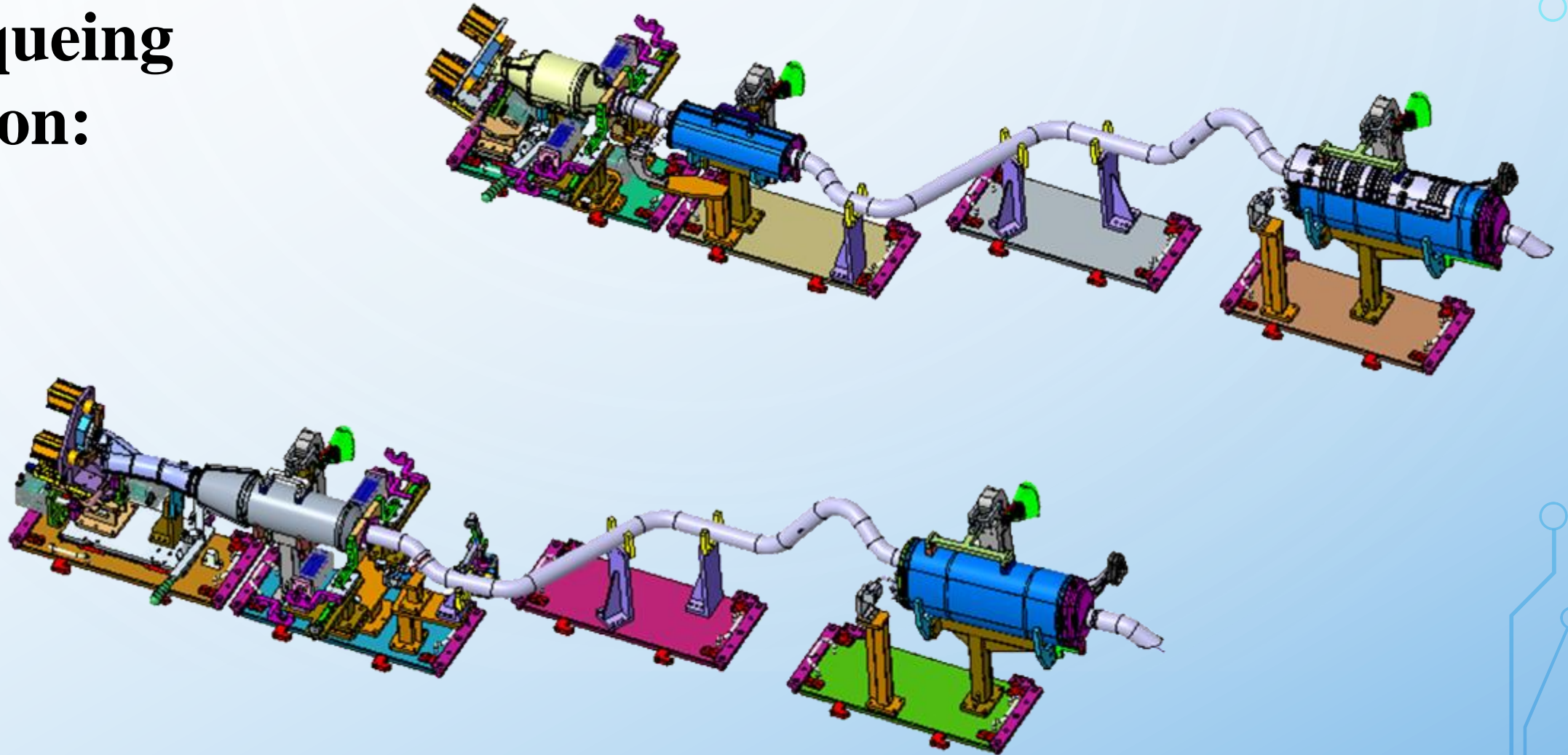
Torqueing station:





ELECTRODIGIT

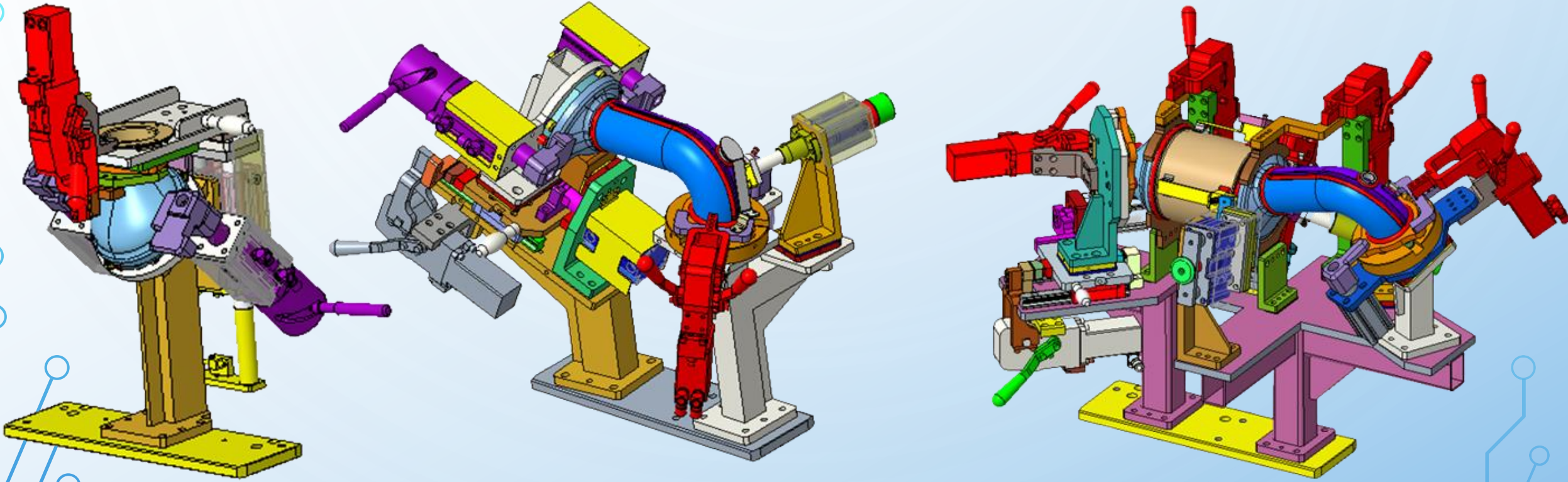
Torqueing station:





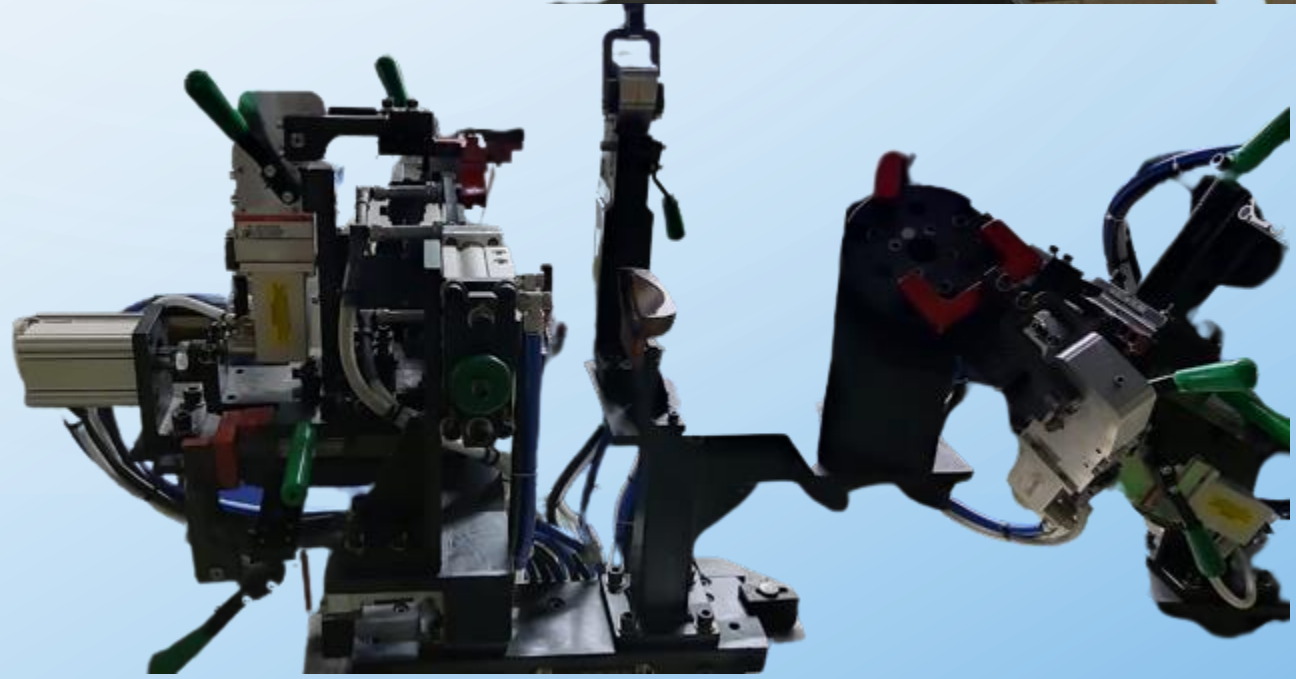
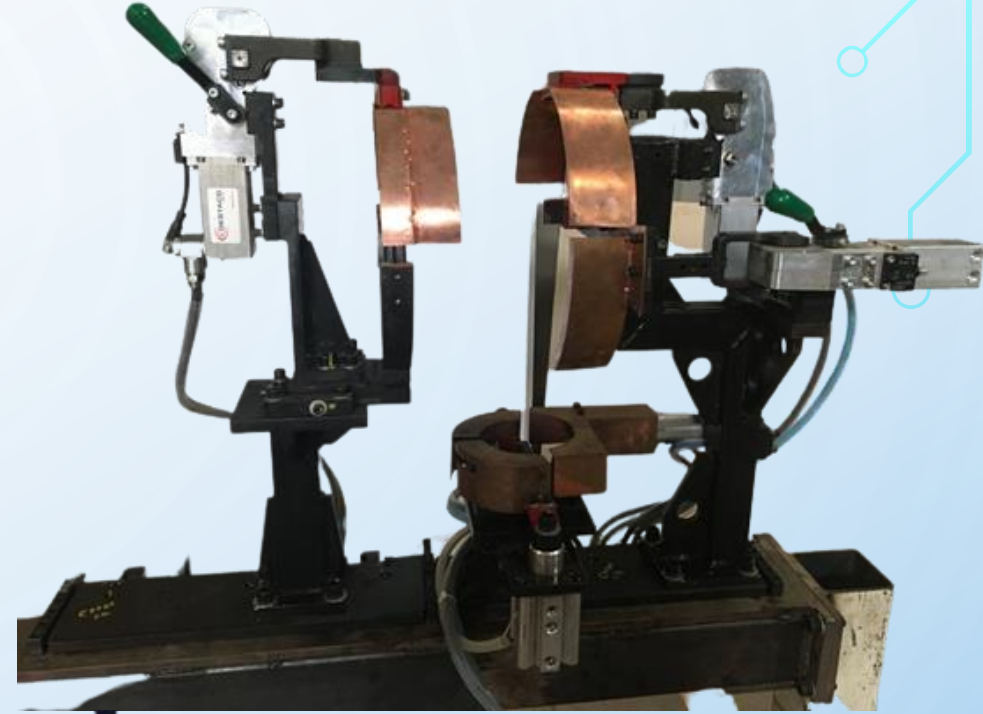
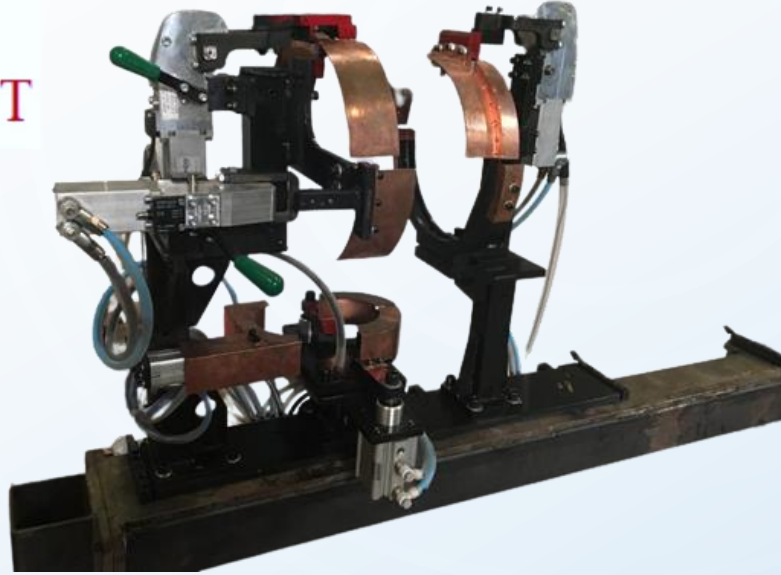
ELECTRODIGIT

Robotics Welding Fixtures:



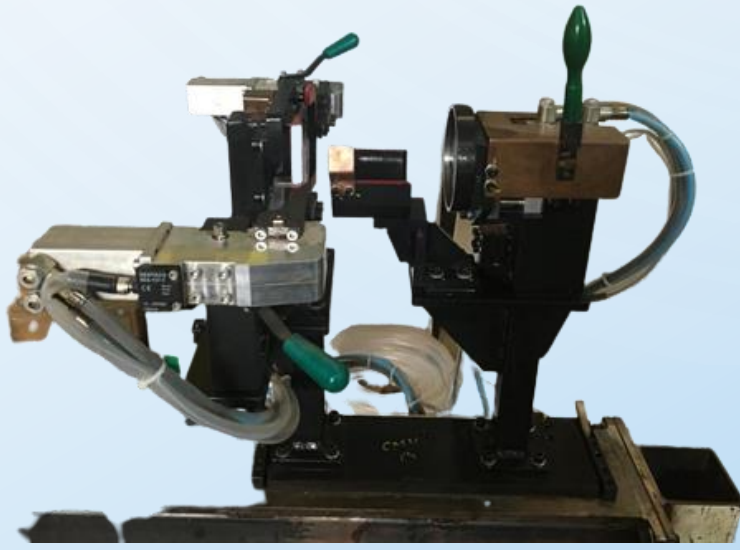
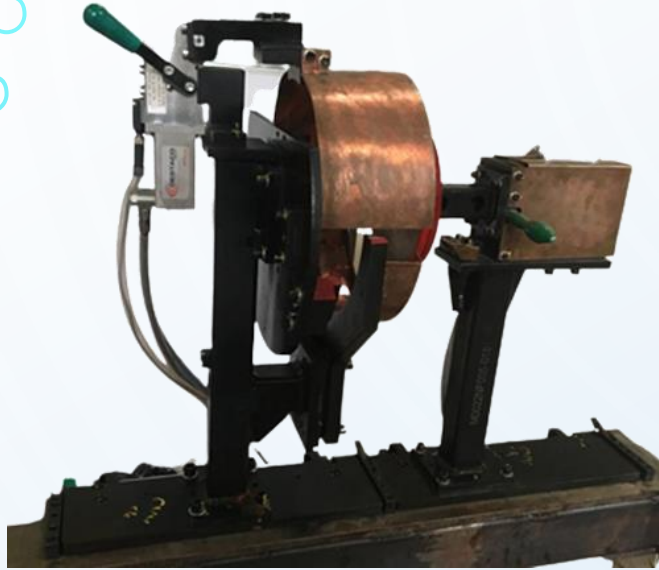


ELECTRODIGIT





ELECTRODIGIT





ELECTRODIGIT

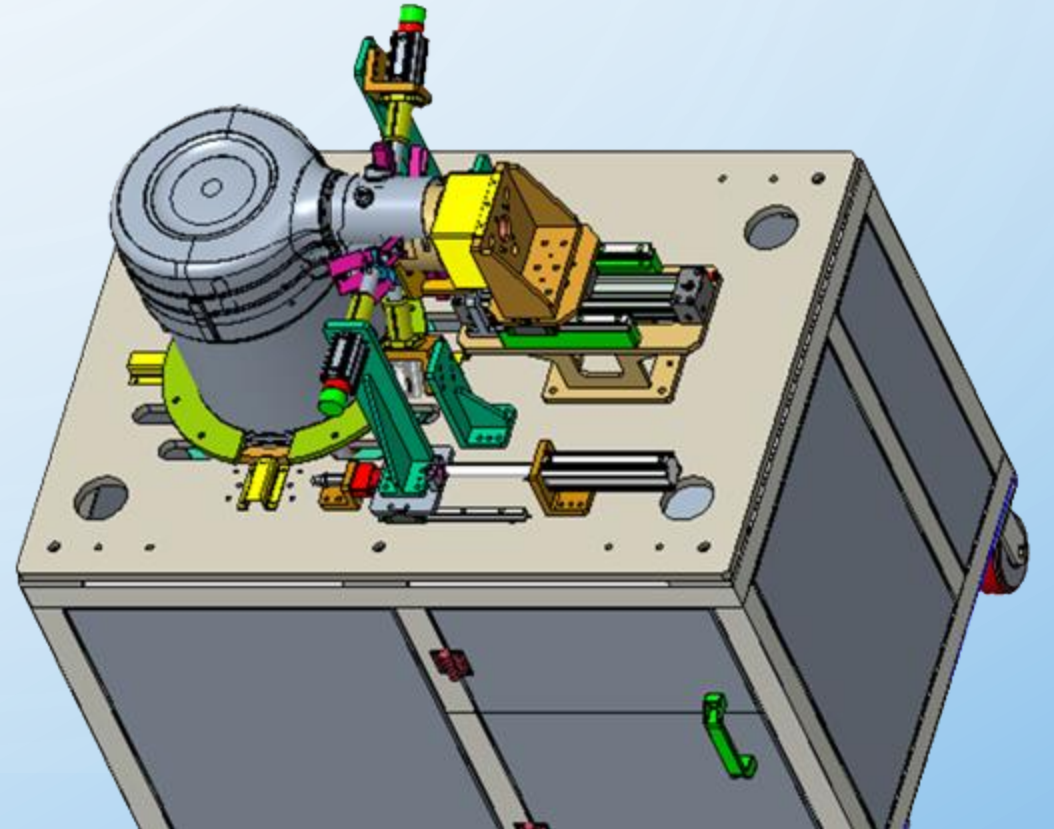
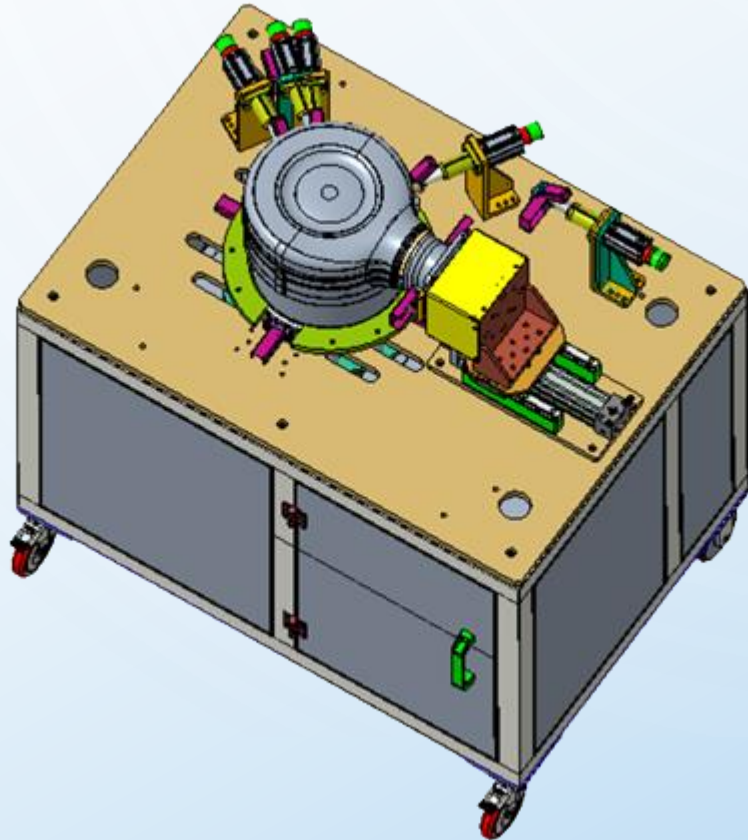
Manual Tack Welding Fixtures:





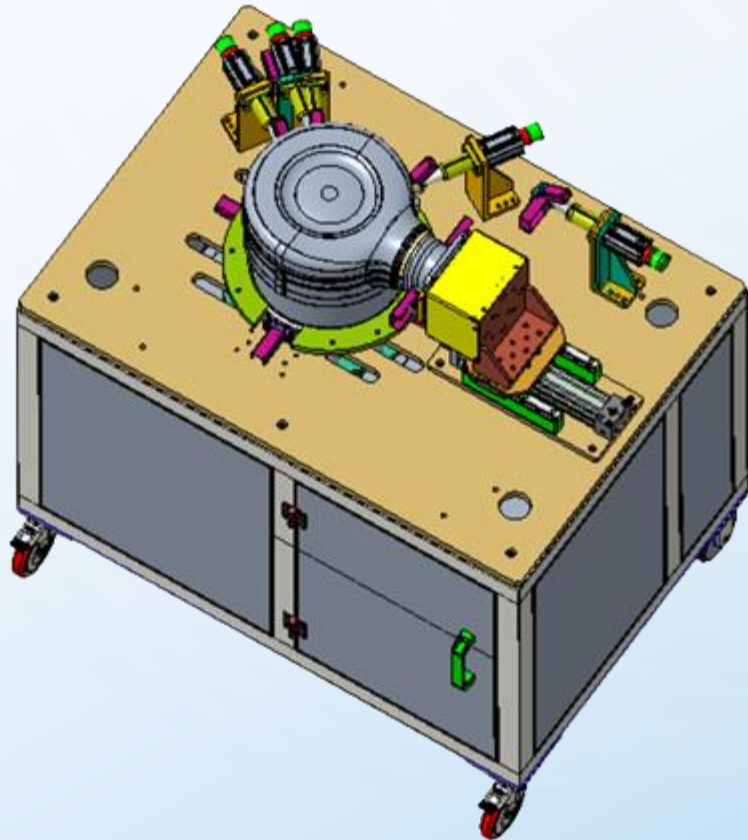
ELECTRODIGIT

Variable Gauges:





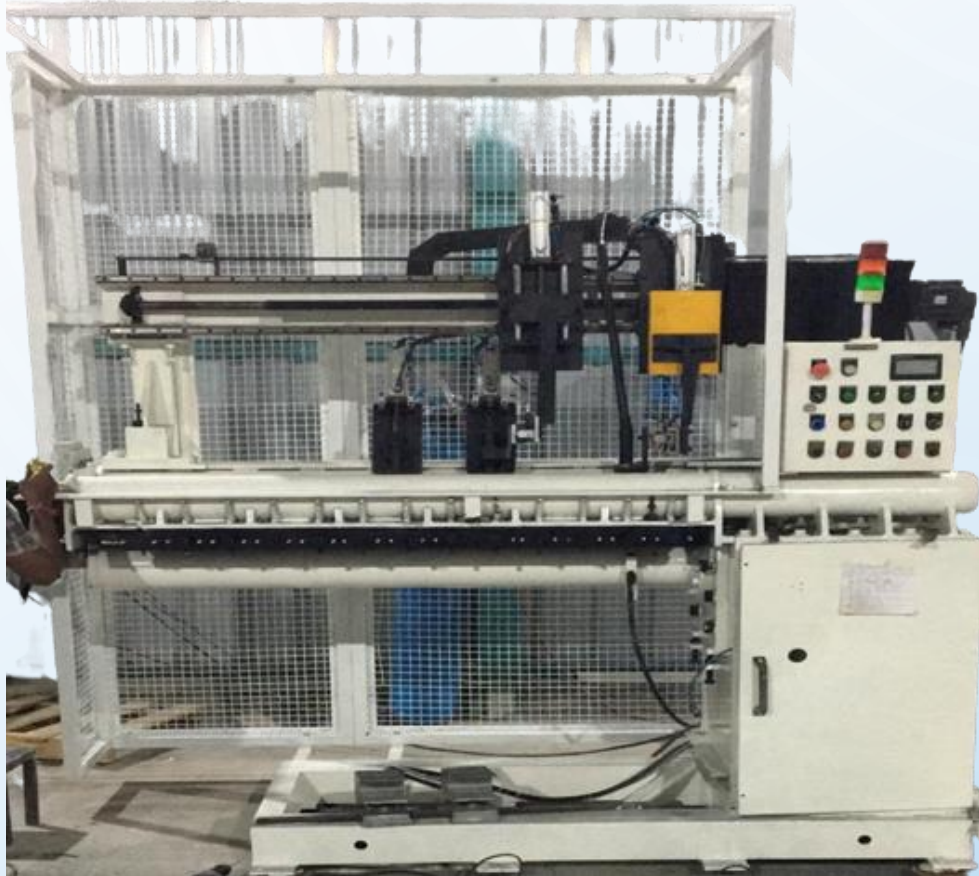
ELECTRODIGIT



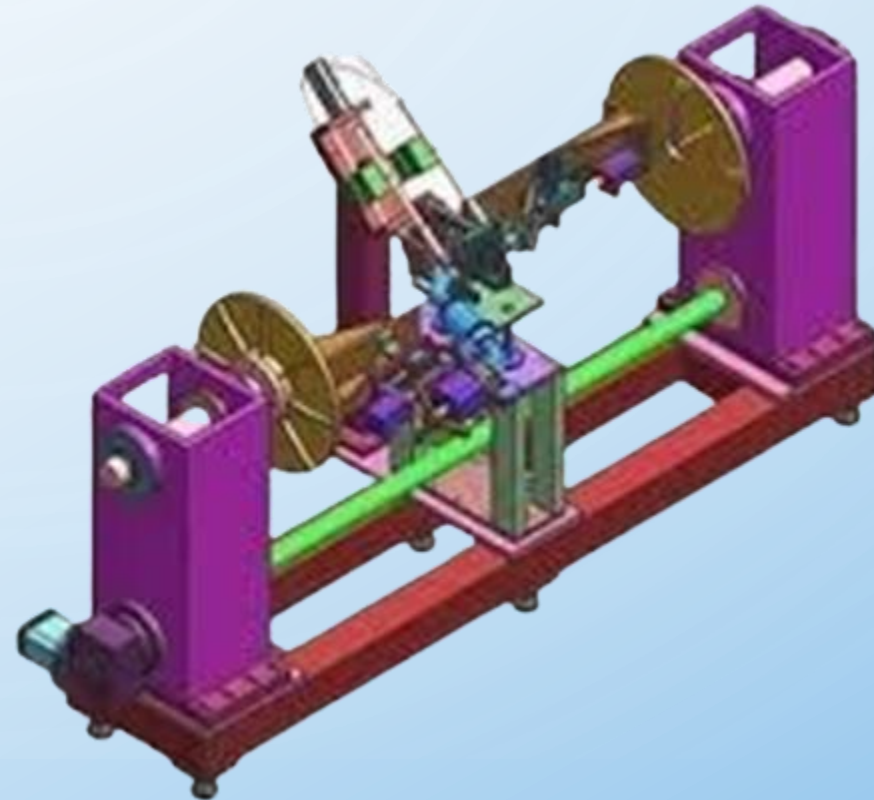


ELECTRODIGIT

Welding Spm's:



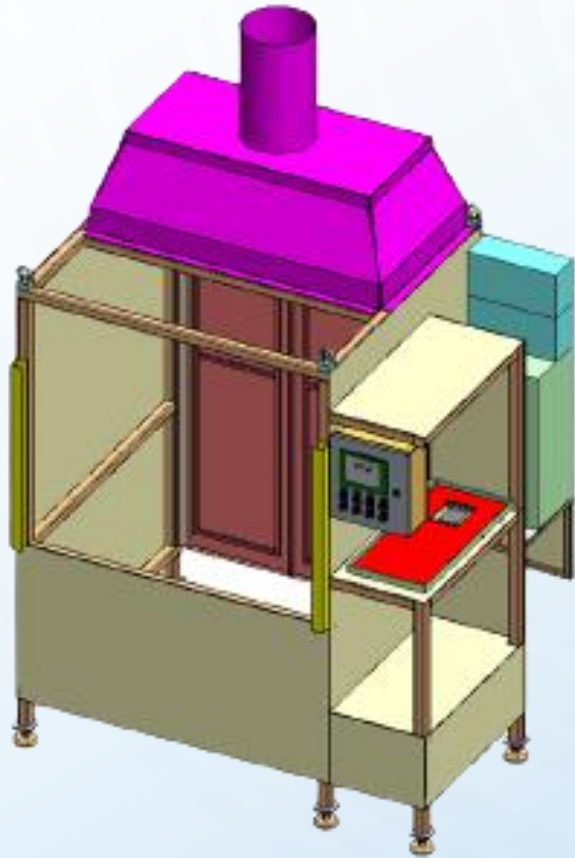
Weld Seamer



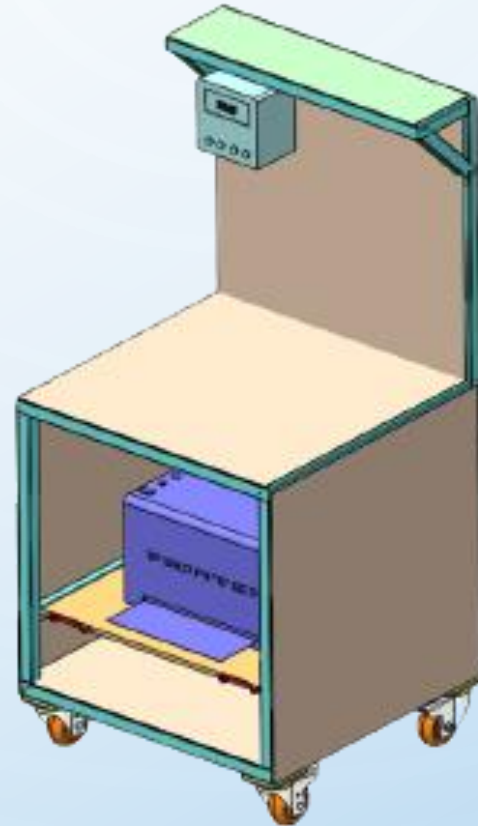
Double end drive



ELECTRODIGIT



Welding station



Data logging system

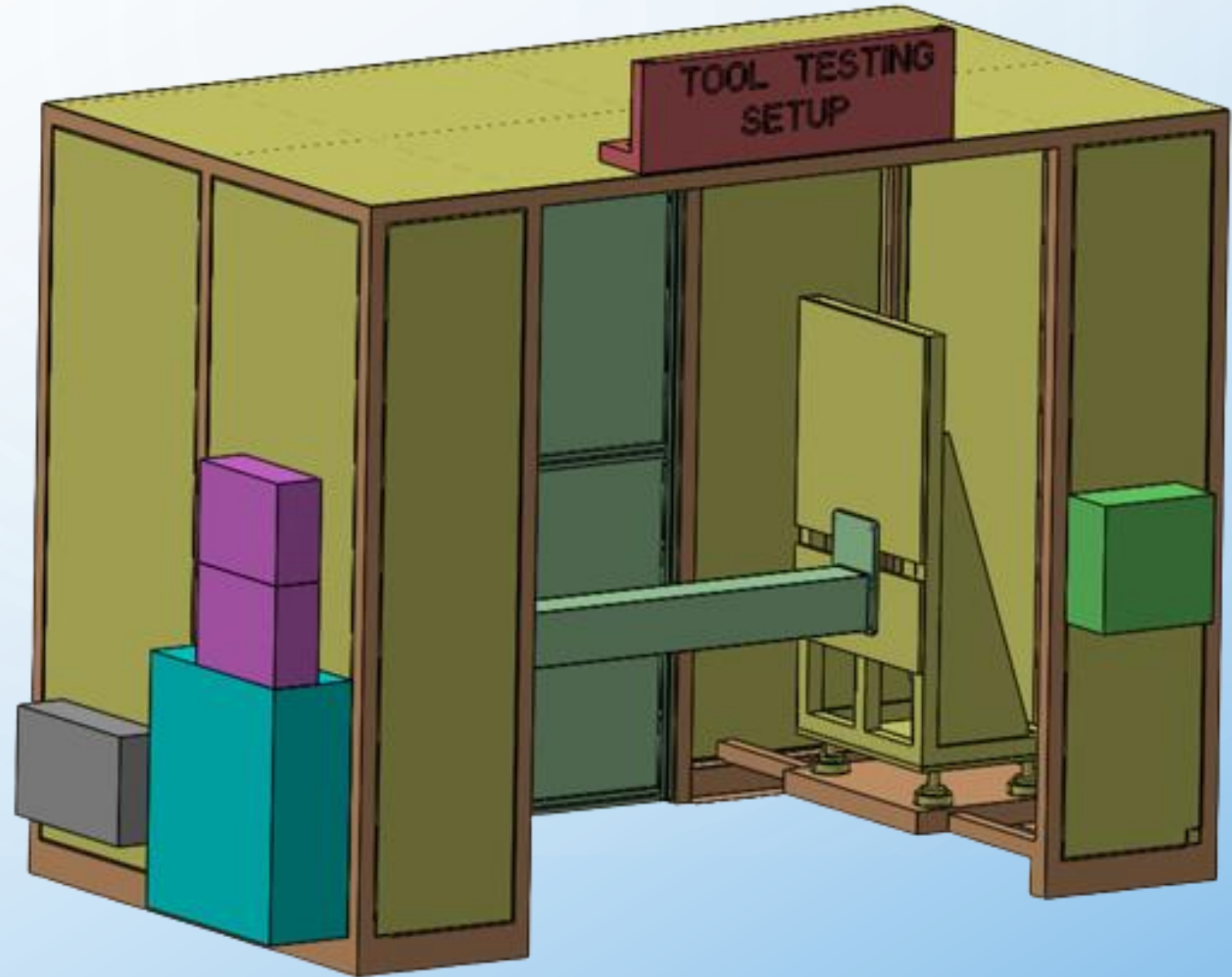


Grinding station



ELECTRODIGIT

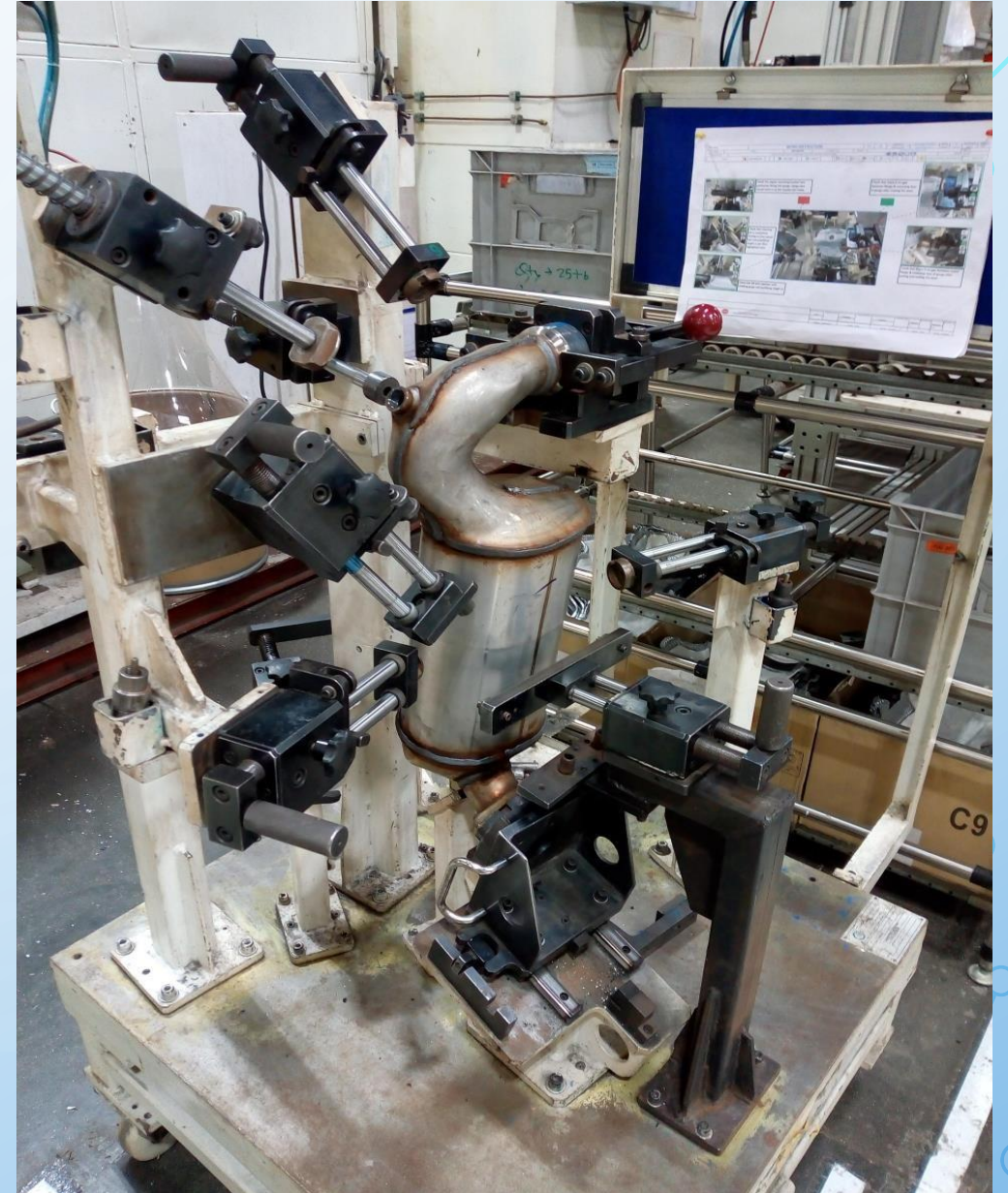
Tool testing setup





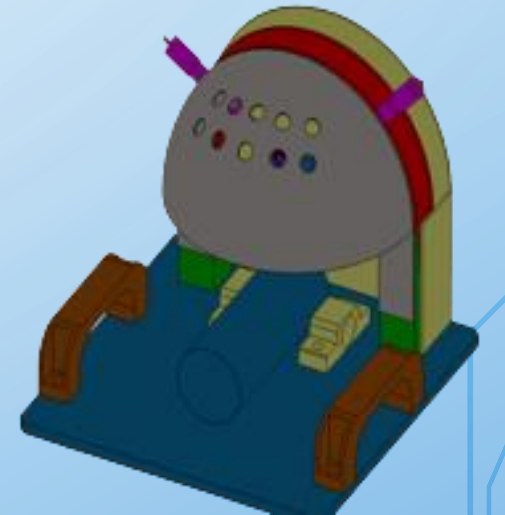
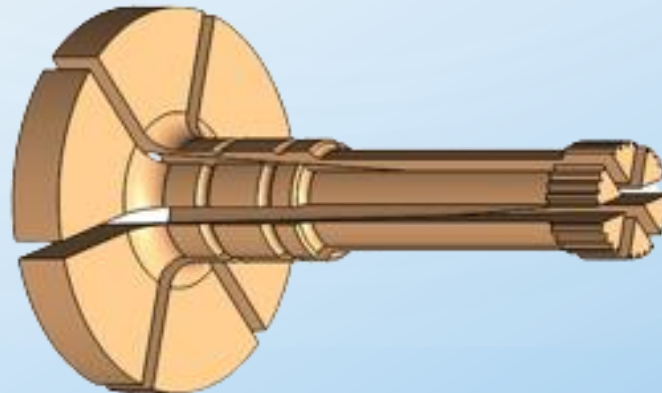
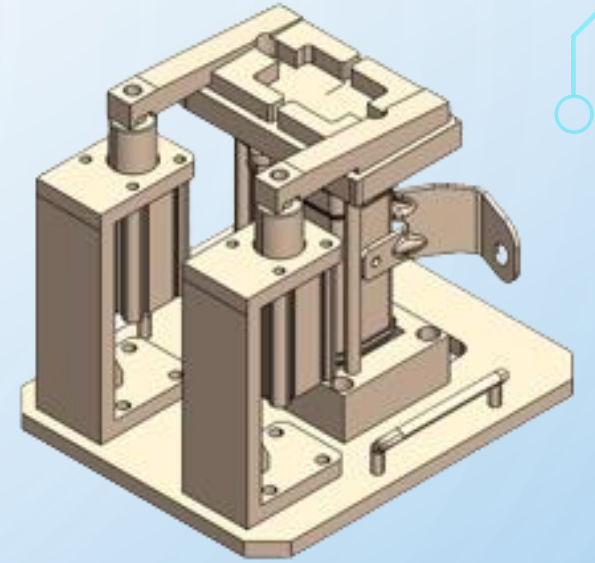
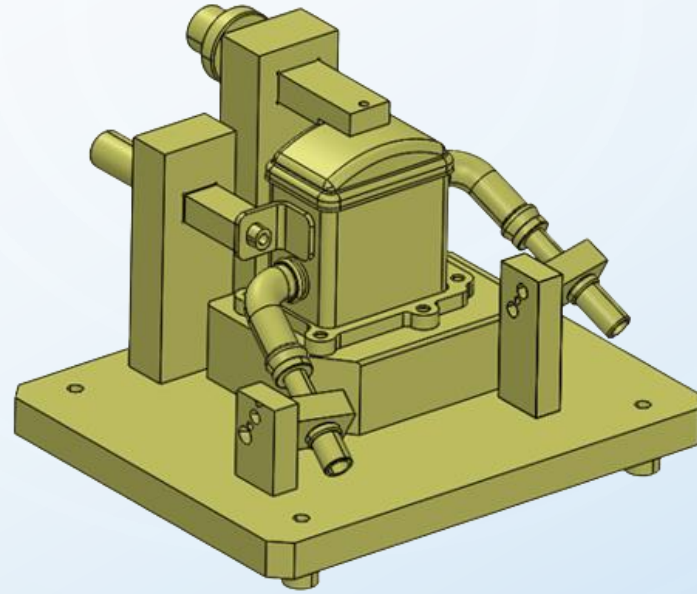
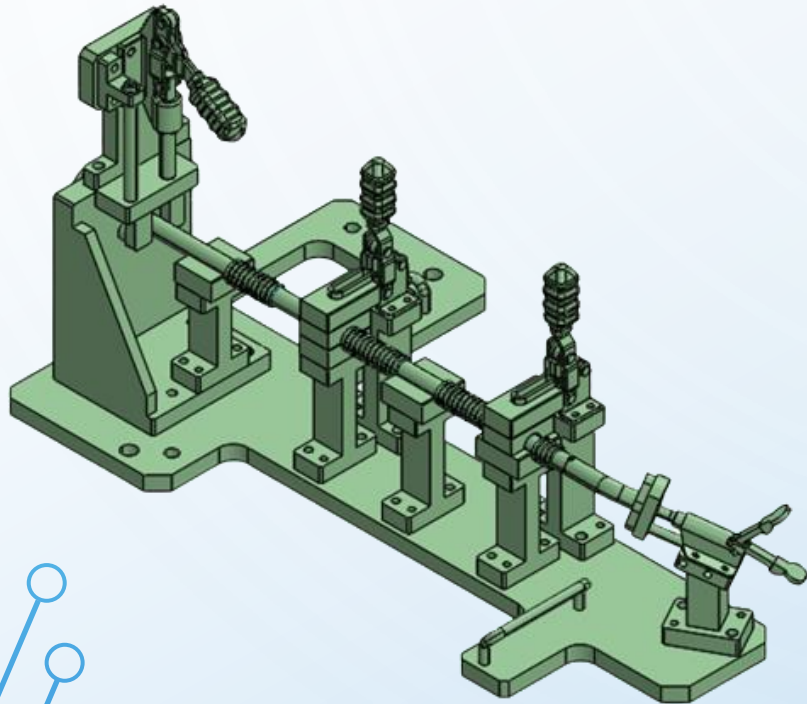
ELECTRODIGIT

Welding Fixture & Gauge:



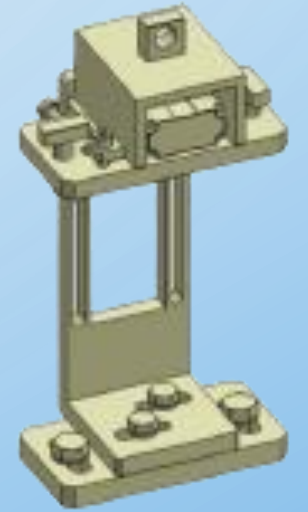
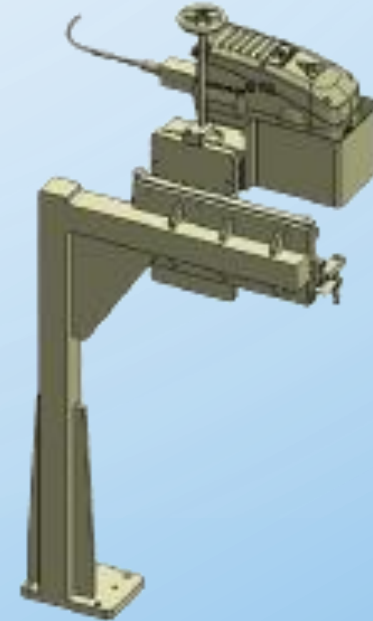
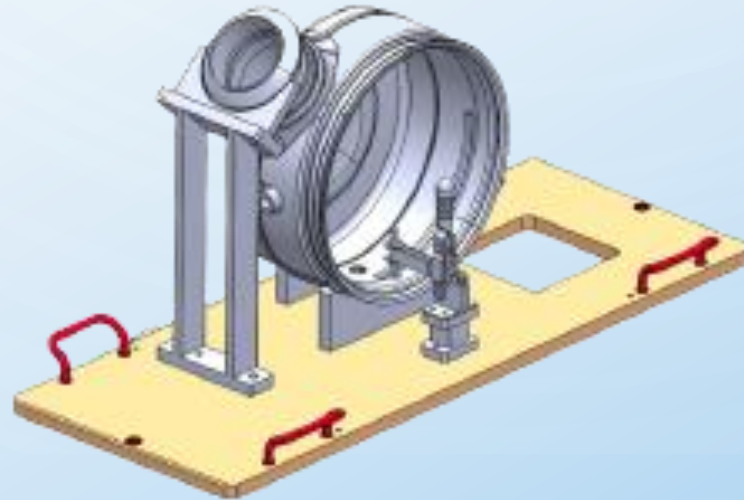
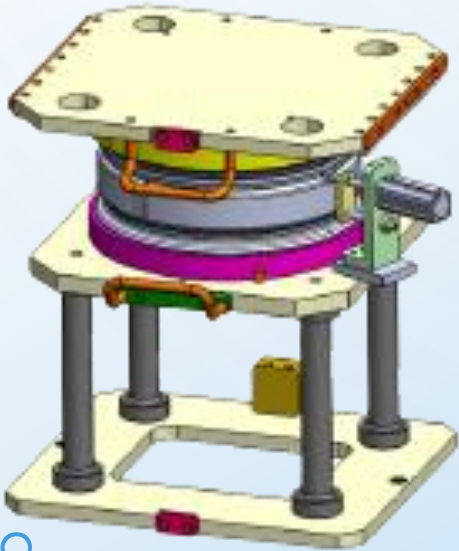
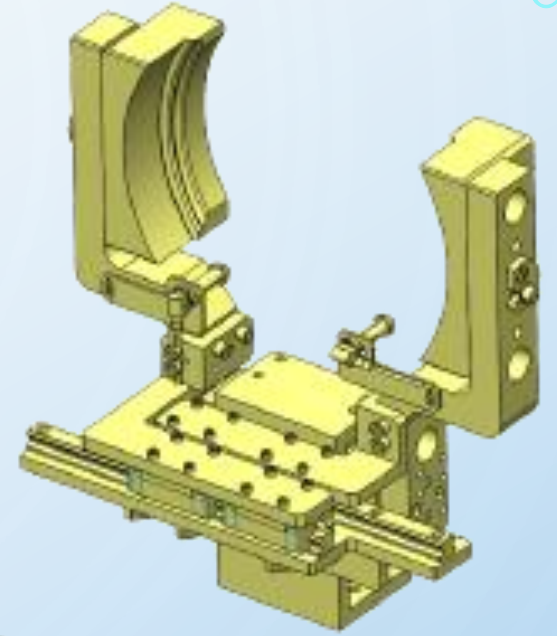
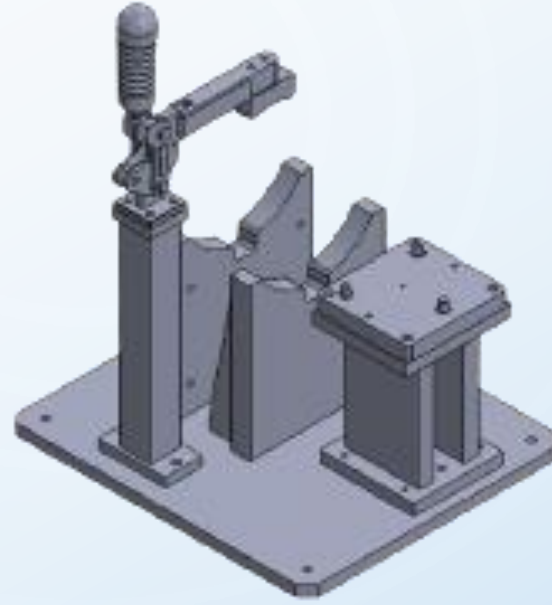
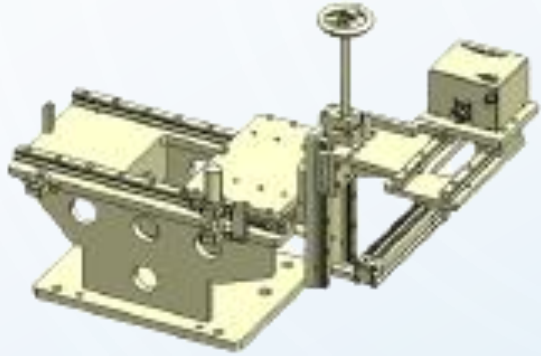


ELECTRODIGIT





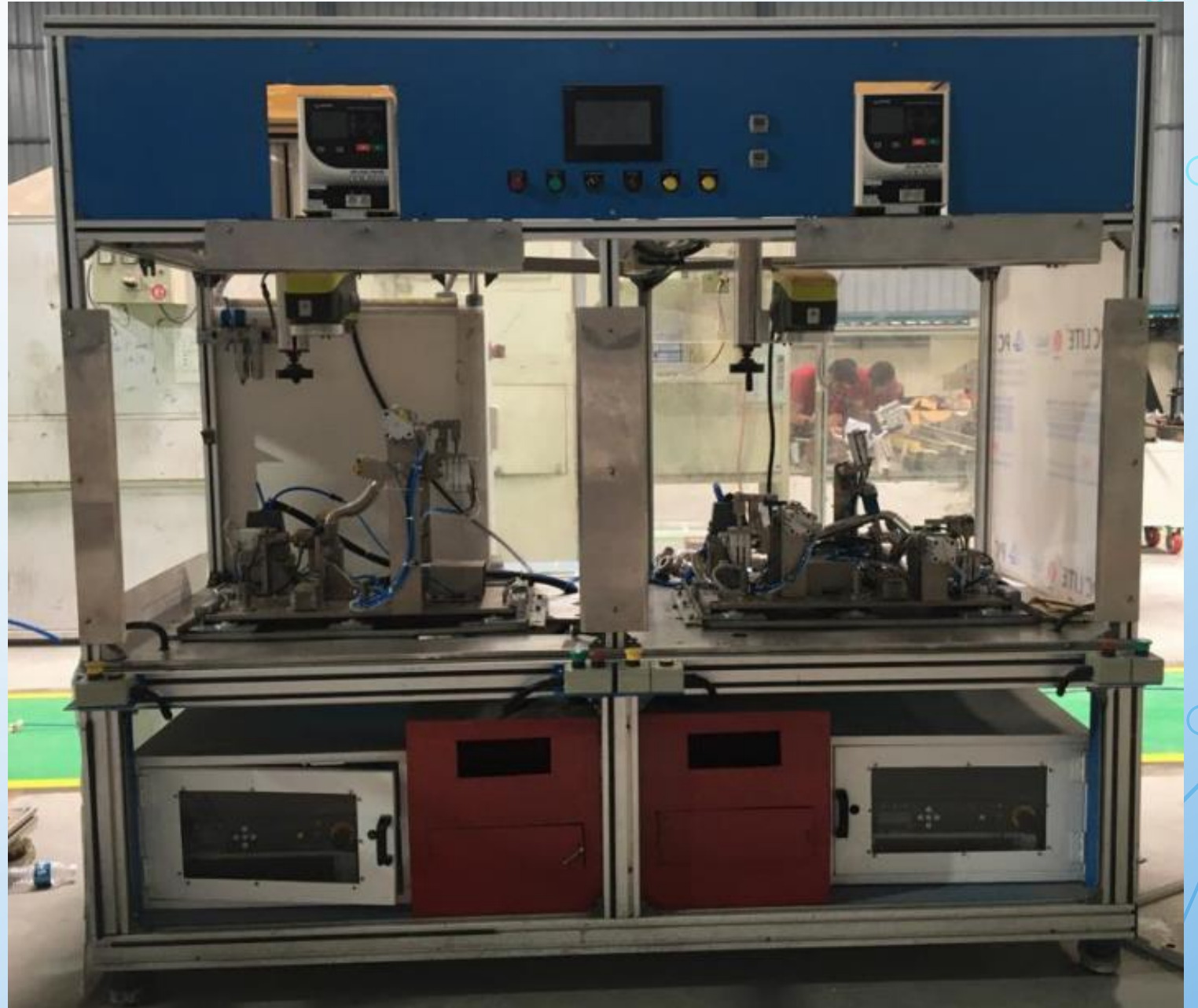
ELECTRODIGIT





ELECTRODIGIT

Laser Marking and leak testing machine:





ELECTRODIGIT

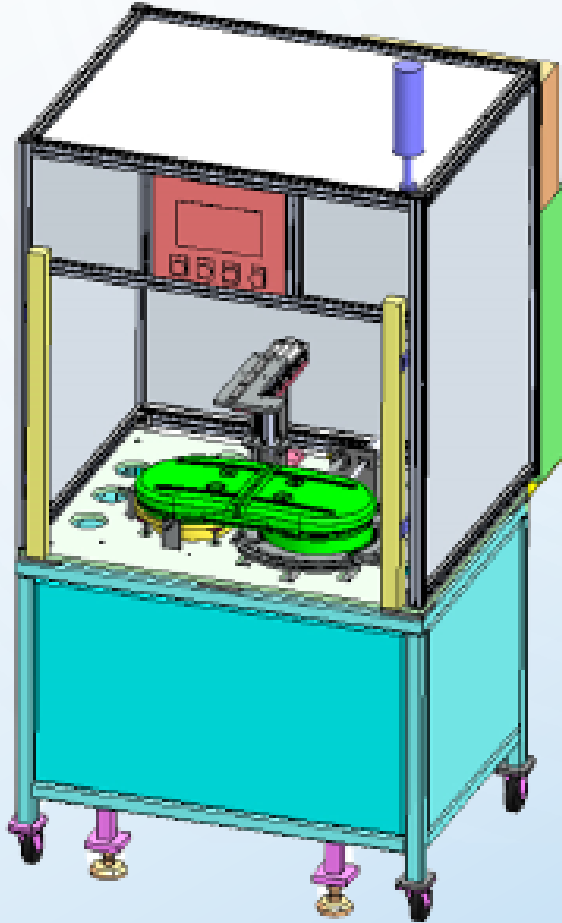
Flushing Machine:





ELECTRODIGIT

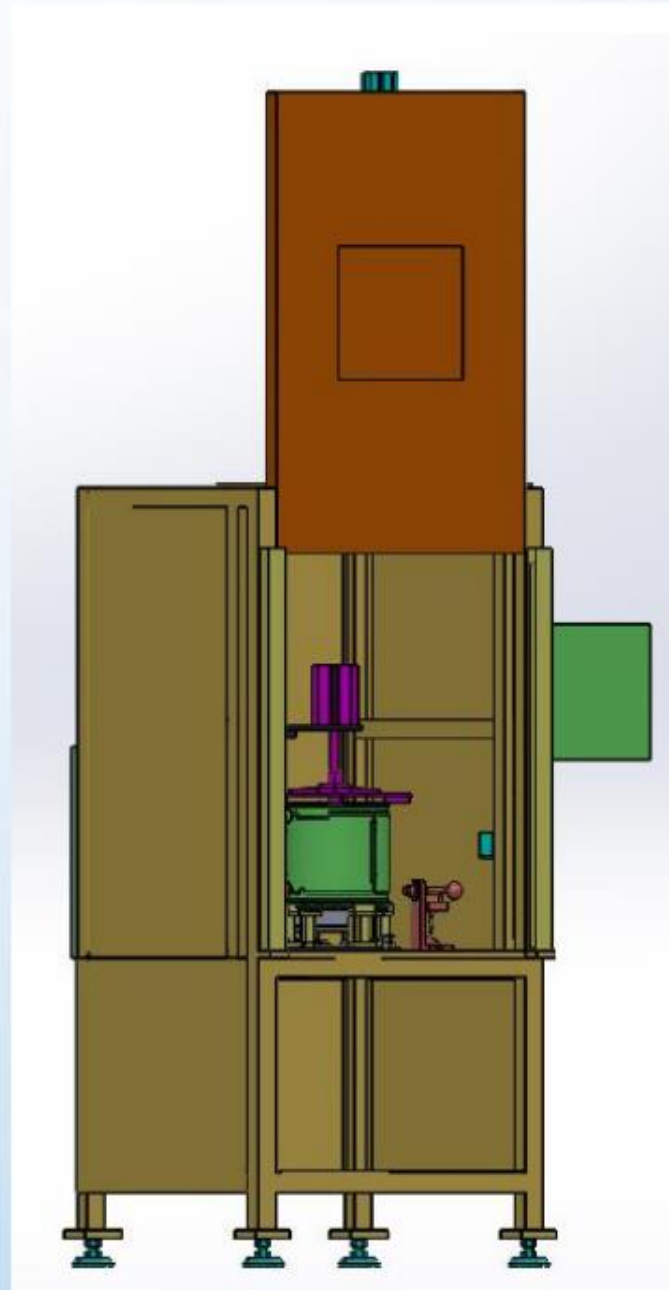
Auto Gauge:





ELECTRODIGIT

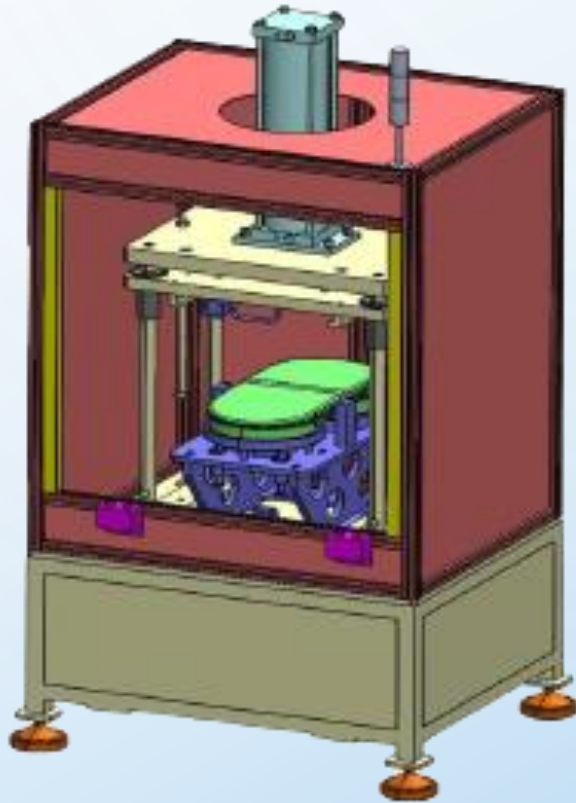
Marking Station





ELECTRODIGIT

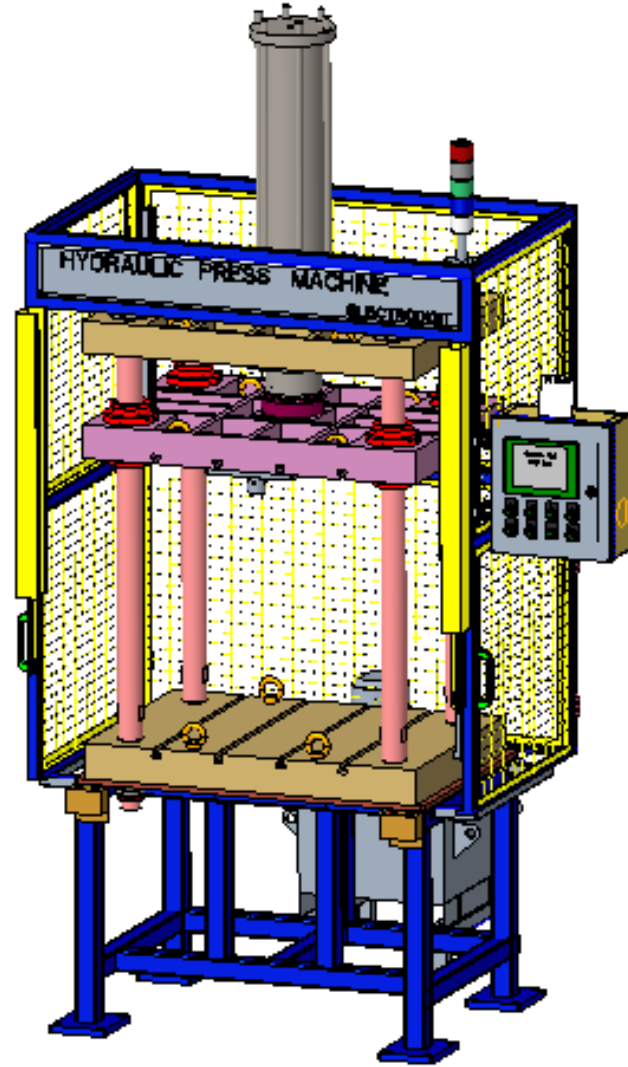
Leakage Station





ELECTRODIGIT

Hydraulic Press



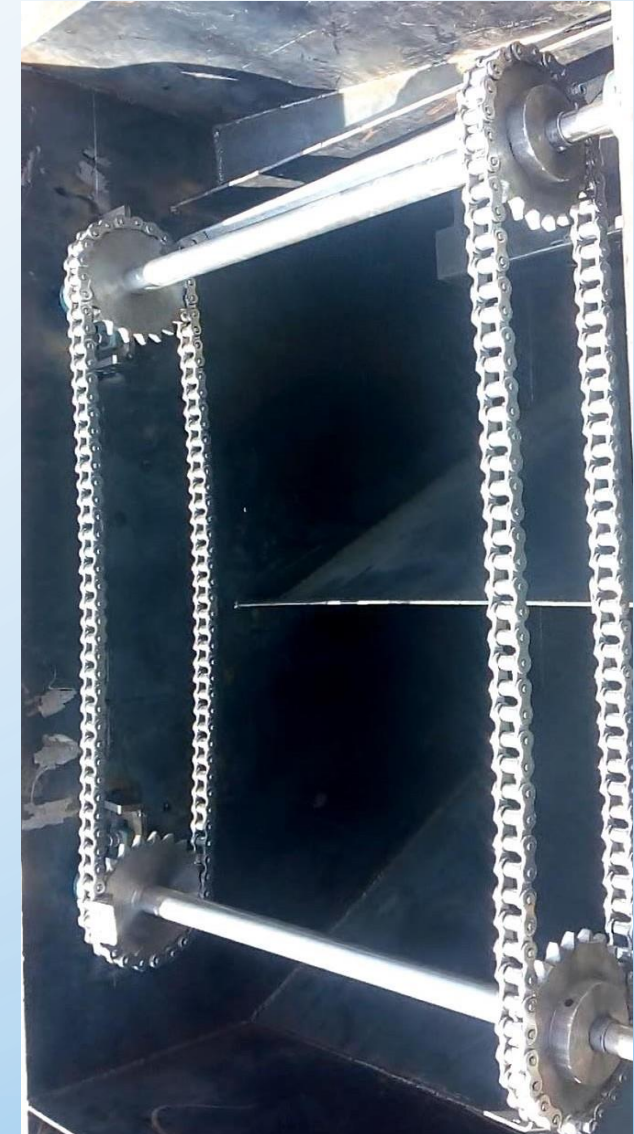


ELECTRODIGIT

Conveyor's:



Belt conveyor

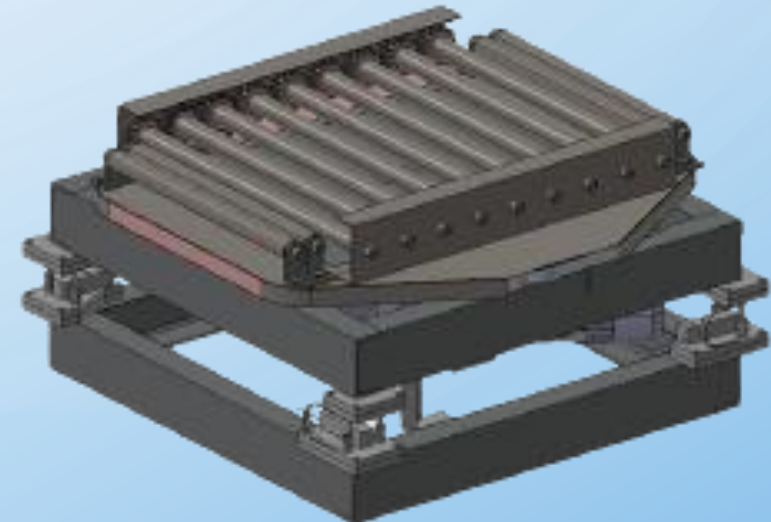
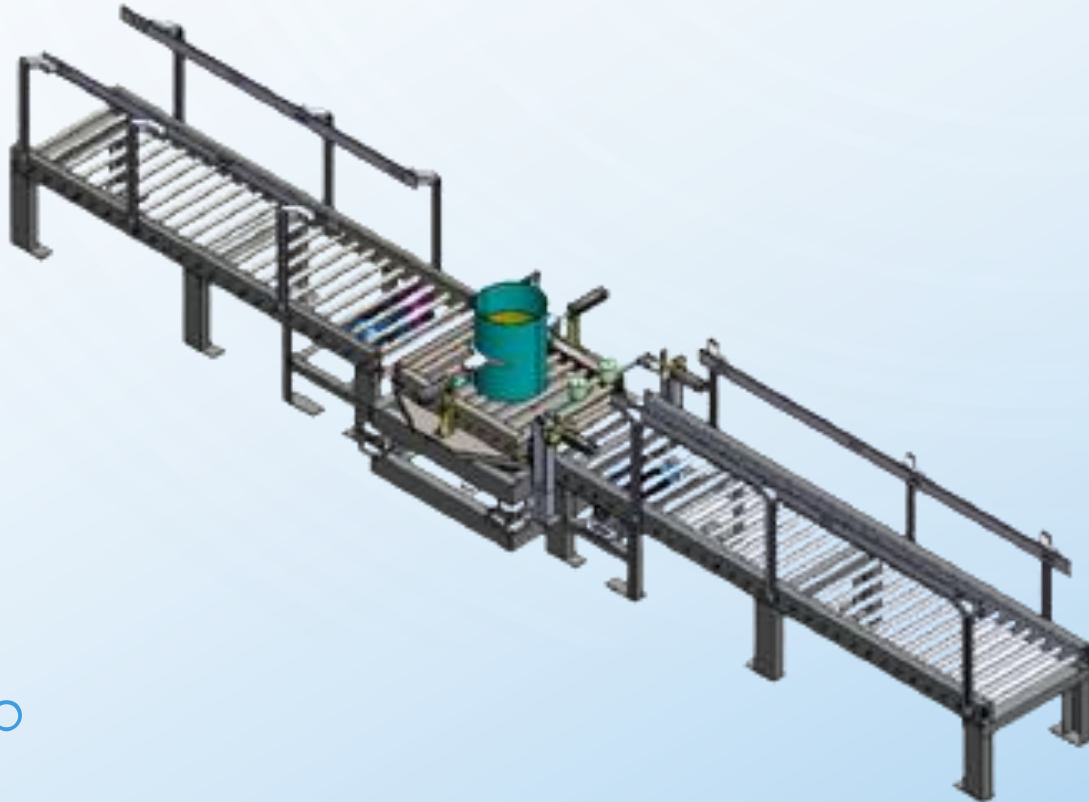


Chain conveyor



ELECTRODIGIT

Power roller conveyor





ELECTRODIGIT

Control Panels:





ELECTRODIGIT





ELECTRODIGIT





OUR CUSTOMERS



Eberspächer



Mercedes-Benz



KATCON



ADM
G R O U P



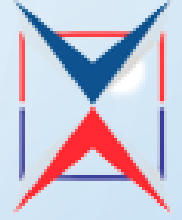
ELECTRODIGIT



JEC
DISTRIBUTORS



GRIFFYN
ROBOTECH



VICTORA GROUP

VISSCO

From pain to peak performance



WALTER PACK



MAHLE



VISHNU
CHEMICALS LTD



ELECTRODIGIT

CONTACT US



Gat no:1567, Shelar wasti, Dehu-Alandi road,
Chikhali,Pune-411062



info@electrodigit.com



www.electrodigit.com



+919766009577 / +919370286720





ELECTRODIGIT

Q & A



ELECTRODIGIT

Thank
You